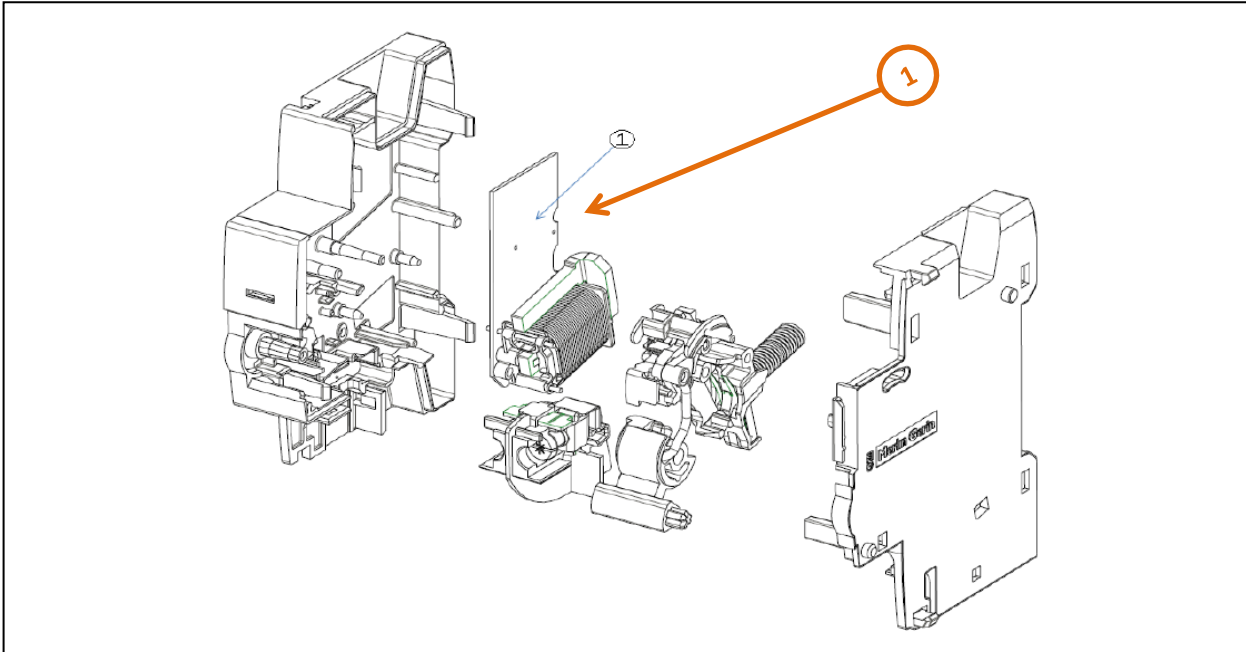


Product End of Life Instructions

AUXILIARIES IMN



End of Life Instructions



Recommendation	Number on drawing	Component / Material	Weight (in g)	Comment
To be depolluted	1	Electronic Board (Communication) > 10cm ²	4.24	PCBA>10cm ²

Product description

Manufacturer identification	Schneider Electric Industries SAS
Brand name	Schneider Electric
Product function	<p>AUXILIARY MNx is as an emergency stop device working with both a constant voltage feeding and a monitoring loop. Under the presence of the voltage, the MNx will trip the protection device as soon as the monitoring loop will be opened.</p> <p>Trips the device with which it is combined when its input voltage decreases(between 70% and 35%Un);</p> <p>Prevents device closing again until its input voltage is restored.</p>
Product reference	A9A26960
Additional similar product references	A9A26960
Total representative product mass	72.9 g
Representative product dimensions	86.2mmx 72.4mm x 17.7mm
Date of information release	12/2018



Additional information

Legal information

This product family is in the scope of European Union directive 2012/19/EU on Waste Electrical and Electronic Equipment (WEEE). The product family must be disposed according to the legislation of the country. This document is intended for use by end of life recyclers or treatment facilities. It provides the basic information to assure an appropriate end of life treatment for the components and materials of the product.

Recyclability potential

36%

Based on "ECO'DEEE recyclability and recoverability calculation method" (version V1, 20 Sep. 2008 presented to the French Agency for Environment and Energy Management: ADEME).

Schneider Electric Industries SAS

Country Customer Care Center

<http://www.schneider-electric.com/contact>

35, rue Joseph Monier

CS 30323

F- 92506 Rueil Malmaison Cedex

RCS Nanterre 954 503 439

Capital social 896 313 776 €

www.schneider-electric.com

ENVEOLI1305023_V2

Published by Schneider Electric

© 2017 - Schneider Electric – All rights reserved

12/2018