

SpaceLogic™ Xenta to AS-P Adapter

Adapter

Safety Information

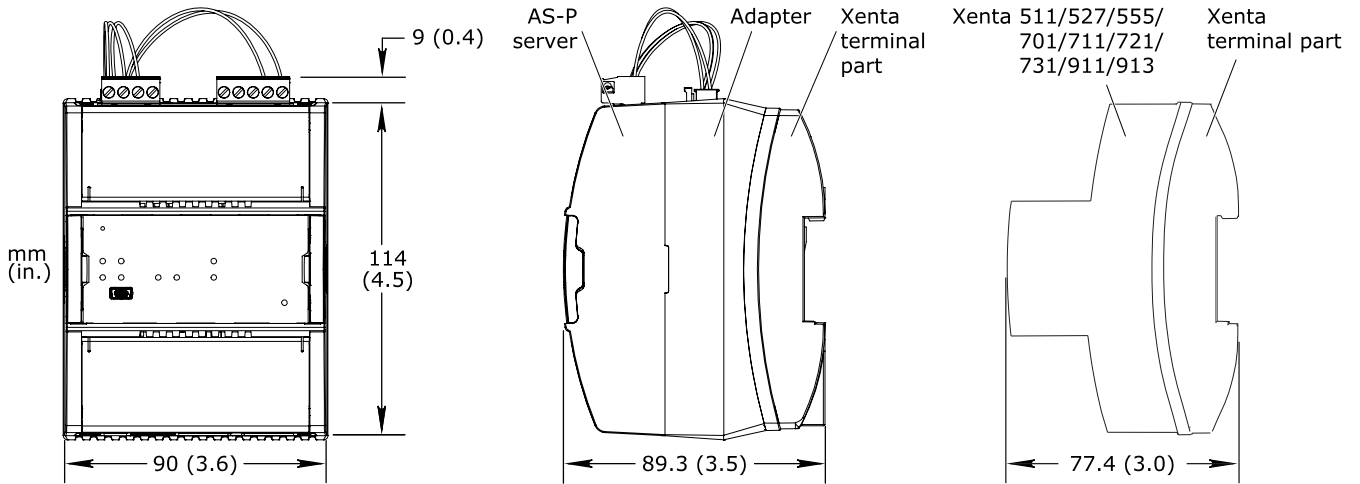
Electrical equipment should be installed, operated, serviced, and maintained only by qualified personnel. No responsibility is assumed by Schneider Electric for any consequences arising out of the use of this material. Carefully read these instructions and all information relevant for this product before trying to install it. See the list of technical literature.

Technical Literature

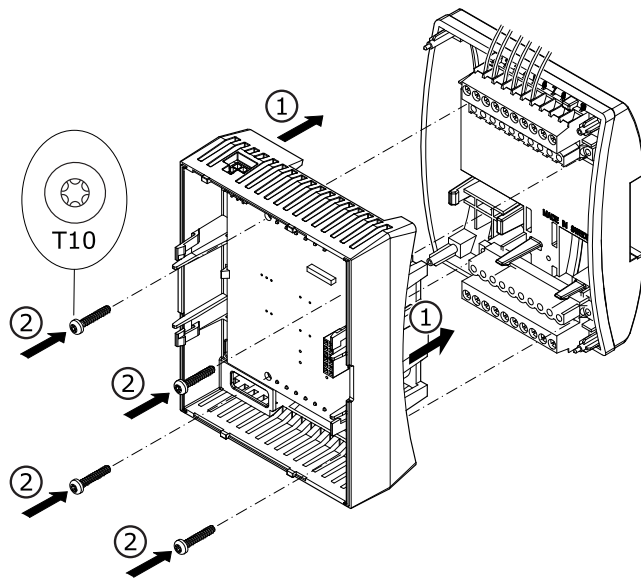
- SpaceLogic and EasyLogic - Hardware Reference Guide, 04-XX001-XX-en

The technical literature and declarations of conformity can be accessed on the Schneider Electric extranet, ecoxpert.se.com. Contact your local Schneider Electric sales office for a hard copy of the documentation or for additional information.

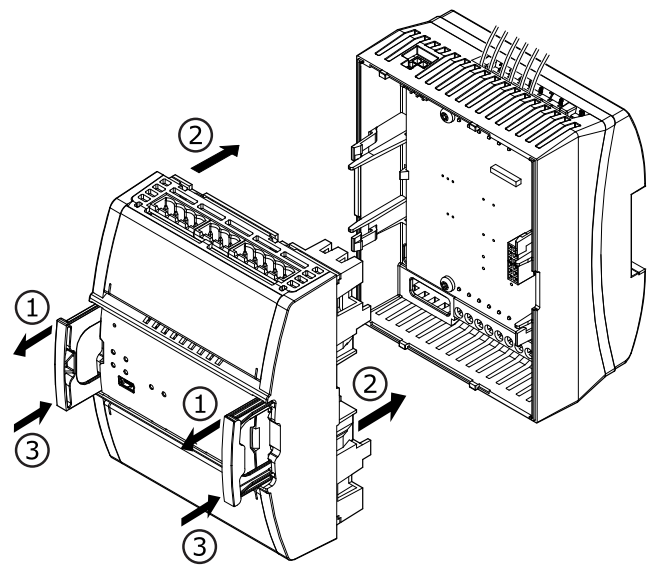
Dimensions



Installing the Adapter

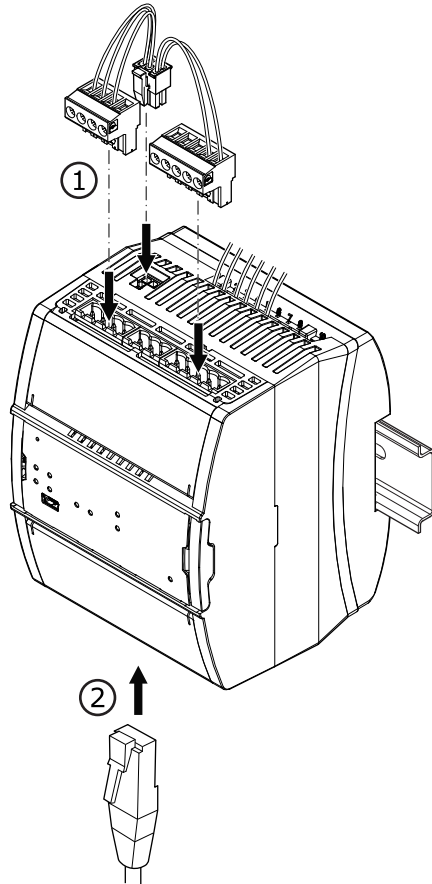


Installing the AS-P Server on the Adapter



IMPORTANT: Do not over-tighten the screws. Doing so may damage the threading.

Connecting the Cables



Part Numbers

Device	Part number
Xenta to AS-P Adapter	SXWASPXEN10001
SpaceLogic AS-P	SXWASPXXX10001
SpaceLogic AS-P-S	SXWASPSBX10001
TAC Xenta 400 Terminal Part	007309020

Specifications

Xenta to AS-P Adapter

AC input

Operating voltage range
24 VAC \pm 20 % \sim , 50/60 Hz

Recommended transformer rating
 \geq 16 VA

DC input

Operating voltage range
19.2-40 VDC ---

Power consumption
max. 15 W

DC output
Output voltage
24 VDC \pm 1 V

Output power
10 W

Operation environment

Ambient temperature, operating
0 to 50 °C (32 to 122 °F)

Humidity

Maximum 95 % RH non-condensing

Mechanical

Ingress protection rating
IP 20

Plastic flame rating
UL94-5VB

Addendum - California Proposition 65 Warning Statement for California Residents

⚠ WARNING: This product can expose you to chemicals including lead which is known to the State of California to cause cancer and which is known to the State of California to cause birth defects or other reproductive harm. For more information go to www.P65Warnings.ca.gov

部件名称 (Part Name)	有害物质 (Hazardous Substances)					
	铅 (Pb)	汞 (Hg)	镉 (Cd)	六价铬 (Cr (VI))	多溴联苯 (PBB)	多溴二苯醚 (PBDE)
塑料部件 (Plastic Parts)	○	○	○	○	○	○
电子件 (Electronics)	X	○	○	○	○	○

本表格依据 SJ/T11364 的规定编制。(This table is made according to SJ/T 11364.)

○: 表示该有害物质在该部件所有均质材料中的含量均在 GB/T 26572 规定的限量要求以下。
(Indicates that the concentration of hazardous substance in all of the homogeneous materials for this part is below the limit as stipulated in GB/T 26572.)

X: 表示该有害物质至少在该部件的某一均质材料中的含量超出 GB/T 26572 规定的限量要求。
(Indicates that the concentration of hazardous substance in at least one of the homogeneous materials used for this part is above the limit as stipulated in GB/T 26572.)

