

Description

The IP scenario module is a device of the Hotel range for the management of the room and the common areas.

One MH201 must be used for each room or common area.

For systems with over 100 rooms, or common areas, the IP Server F458 device must also be used.

It's main functions are:

- Key card management:

1) **room access management (key cards saved).** Using the supervision software, it is possible to manage the saving of the key cards (if the external reader is present) used for opening the door with two different profiles (Users or Service). For each key card saved, it is possible to associate a validity end date, 3 access time profiles, and a maximum number of accesses.

The date of validity can only be associated for user key cards, not for service ones.

The access time profiles and the maximum number of accesses can only be associated to common areas.

For more details refer to the supervision software manual.

- Management of the room functions:

1) **MAKE UP ROOM.** If inside the room MUR is pressed on the appropriate control (LN4653-H4653-0 675 93), the IP scenario module updates the notification to all the display units (LN4651-H4651-0 675 91), also notifying the event occurred to the supervision software.

Using the CEN operating mode, also other devices can send MUR notifications.

2) **DO NOT DISTURB.** If inside the room the DND key is pressed on the appropriate control (LN4653-H4653-0 675 93), the IP scenario module updates the notification to all the display units (LN4651-H4651-0 675 91), also notifying the event occurred to the supervision software.

Using the CEN operating mode, also other devices can send MUR notifications.

3) **Room alarms.** If an alarm is activated (e.g. bathroom pull cord), the device notifies the supervision software, from where it will then be reset. If enabled, the notification will also be sent to the display outside the door.

4) **Management of the room contacts.** Technical contact for forwarding information and alarm notifications to the supervision software (e.g. window or refrigerator door open).

5) **Remote thermostat contact.**

6) **Presence management.** The presence of someone in the room is notified by the key card switch (LN4849-H4648-0 675 66-05 727 36-05 722 36); the IP scenario module sees the notification and forwards it to all the notifying units (LN4651-H4651-0 675 91), and to the supervision software.

- Gateway for the configuration of the devices installed inside the room. The IP scenario module performs the gateway function to enable the configuration of the devices installed inside the room using the MyHOME_Suite.

- Communication with the supervision software.

- Scenario management. The device can manage up to 50 scenarios as follows:

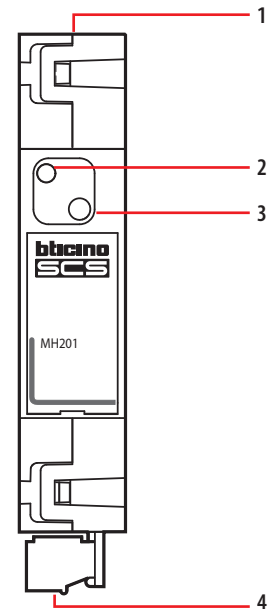
- a) 5 start triggers.
- b) 1 stop trigger.
- c) 1 condition "IF".
- d) 10 actions.

The scenarios are saved using the MyHOME_Suite software.

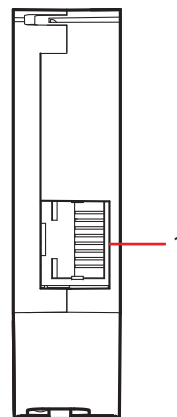
- Management of lights as memory module. The device follows the status of the actuators, and if no network is detected, the status is reset.

- It saves the events occurred inside the room in a log that can be downloaded using the supervision software.

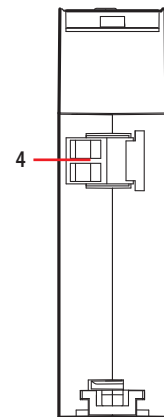
Front view



Top view



Bottom view



Legend

- 1. Ethernet data network RJ45 connector
- 2. LED: red/green bi-colour LED
Notification: Flashing red, 1 sec. ON/1 sec. OFF, acquiring the Ethernet network address configuration
Flashing green, 1 sec. ON/1 sec. OFF, Ethernet network configuration acquired
- 3. Pushbutton:
 - pressure of the pushbutton until it starts flashing green at start-up: set-up of fixed IP 192.168.1.5, Subnet Mask 255.255.255.0
 - extended pressure for 30 seconds: deletion of the log (all the saved events)
- 4. Clamps for connection to the SCS BUS

Technical data

Power supply:	18 – 27 Vdc
Absorption:	30 mA
Operating temperature:	5 – 40 °C

Standards, Certifications, Marks

EN 60669-2-1
EN 50491-5-1
EN 50428

Dimensional data

Size: 1 DIN module

Configuration

The configuration of the scenarios can be completed using the “MyHOME_Suite” software.

It is possible to save up to 50 scenarios.

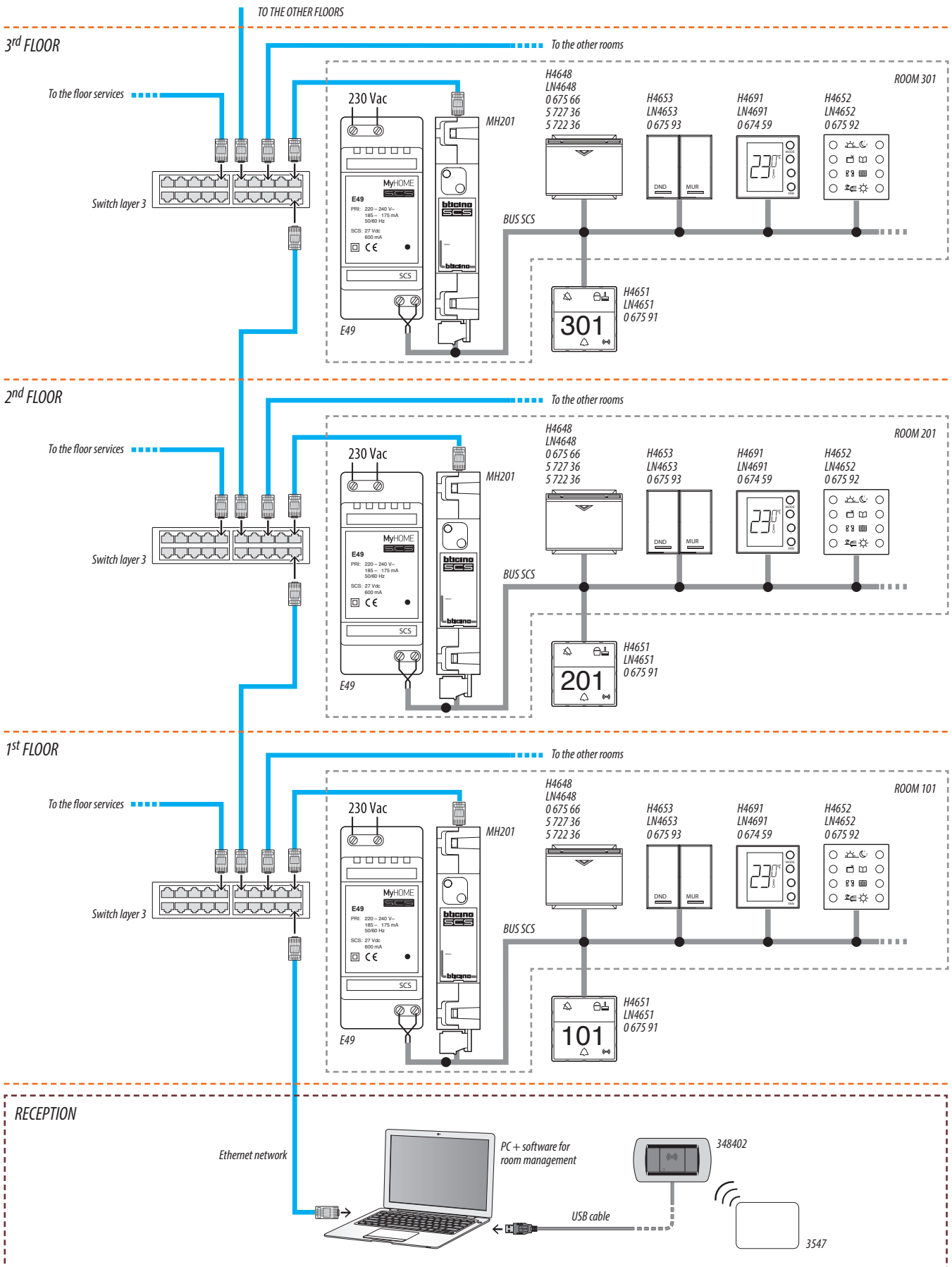
Always using the software, it is possible to change the basic settings of the device:

- Name: max. 16 characters
- Open Password: default 12345 (max 9 characters)

Putting into operation

Pressing the pushbutton until it starts flashing green will set the configuration of the device with the fixed IP address: IP 192.168.1.5, Subnet Mask 255.255.255.0

Typical connection diagram (for programs with over 100 rooms or common areas refer to the technical guide)



Wiring diagrams

Principle and configuration diagram for a hotel room

