

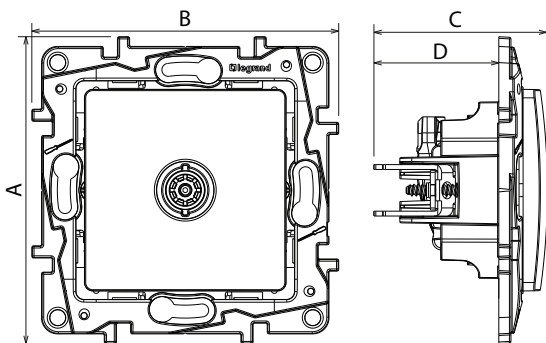
1. USE

Male TV Ø 9,52 mm terminal and pass-through sockets.
 Recommended cable 17/19 VATC.
 Compatible with UHD terrestrial TV.

2. RANGE

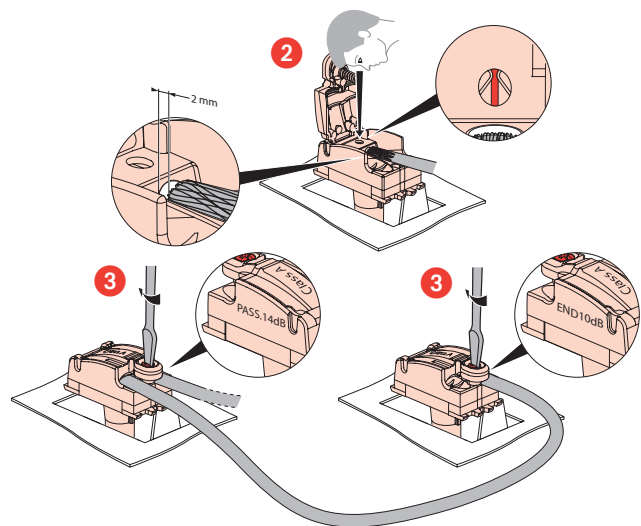
Designation	Aluminium	Anthracite	Smoked grey	Pearl
14 dB male TV passthrough socket	7 621 52	7 622 52	7 623 52	7 624 52
10 dB male TV terminal socket	7 621 55	7 622 55	7 623 55	7 624 55

3. DIMENSIONS (mm)

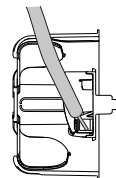
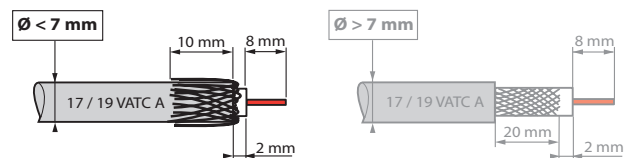


A	B	C	D
75.8	75.8	42.7	30.85

4. CONNECTION



5. WIRING PRECAUTIONS



By restricting deformation of the coaxial cable, the rear connection avoids impedance discontinuity, thereby sustaining performance.

6. TECHNICAL CHARACTERISTICS

■ 6.1 Mechanical characteristics

Protection against solid bodies and liquids: IP 21

Protection against impacts: IK 04

Cable resistance 120 N

■ 6.2 Material characteristics

Material: Cover-plate: ABS

Mechanism casing: PC

Support: PC

Claws: Steel

Halogen-free

UV-resistant

Motor: - Box: Zamac

- Cover: Zamac

- Pin: Bronze

- Screws: Steel

Self-extinguishing: 650°C/30 s

■ 6.3 Electrical characteristics

- Impedance: 75 Ohm

- Male connector Ø 9.52 mm (TV)

- Class A shielding efficiency (class A shielding is necessary to prevent interference caused by using new 3 and 4 G phone signals, as these unwanted signals can result in pixellation on screen or adversely affect the sound track).

- Frequency bands: 5-68/120-862 MHz

■ 6.4 Climate characteristics

Storage temperature: -10°C to +70°C

Use temperature: -5°C to +40°C

7. MAINTENANCE

Surface cleaning with a cloth.

Do not use: acetone, tar remover, trichloroethylene.

Maintenance with the following products: Hexane (EN 60669-1),

Methylated spirit, Soapy water, Diluted ammonia, Bleach diluted to 10%,

Window-cleaning products.

Caution: Always test before using other special cleaning products.

8. STANDARDS AND APPROVALS

Compliant with installation and manufacturing standards

Refer to e. catalogue.

9. PERFORMANCE

