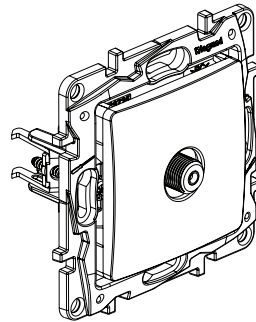


Niloe™^{selection}
TV F-Type star sockets

Cat. No(s): 7 621 49/50
7 622 49/50
7 623 49/50
7 624 49/50



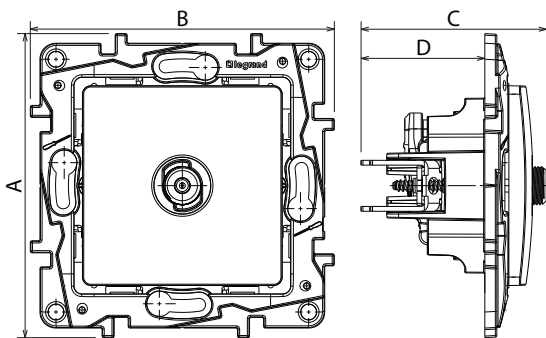
1. USE

Male TV Ø 9,52 mm terminal and pass-through sockets.
 Recommended cable 17/19 VATC.
 Compatible with UHD terrestrial TV.
 Class A shielding - Star wiring

2. RANGE

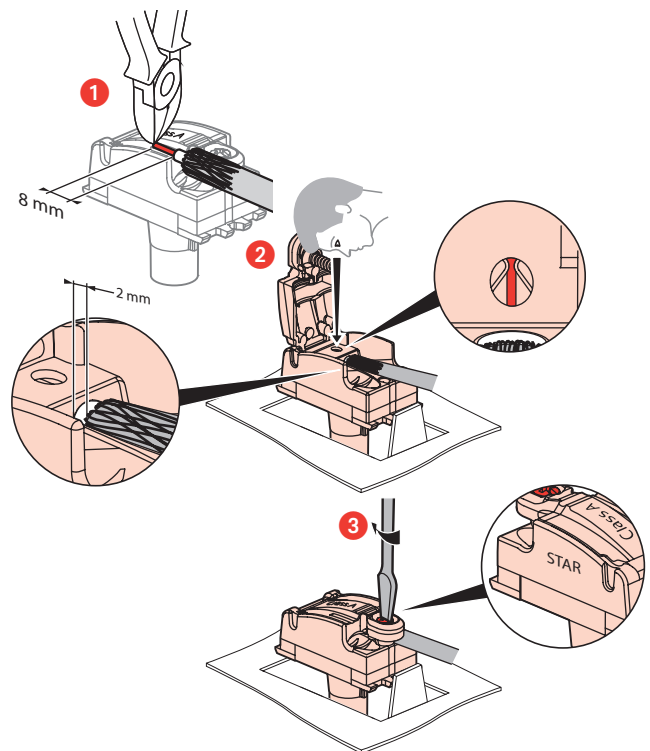
Designation	Aluminium	Anthracite	Smoked grey	Pearl
F-Type TV Star socket	7 621 50	7 622 50	7 623 50	7 624 50
Double F-Type TV Star socket	7 621 49	7 622 49	7 623 49	7 624 49

3. DIMENSIONS (mm)

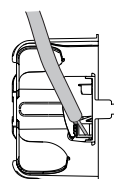
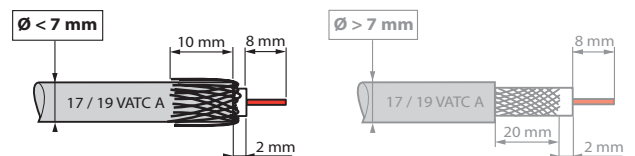


A	B	C	D
75.8	75.8	46.25	30.85

4. CONNECTION



5. WIRING PRECAUTIONS



By restricting deformation of the coaxial cable, the rear connection avoids impedance discontinuity, thereby sustaining performance.

6. TECHNICAL CHARACTERISTICS

■ 6.1 Mechanical characteristics

Protection against solid bodies and liquids: IP 21
 Protection against impacts: IK 04
 Cable resistance 120 N

■ 6.2 Material characteristics

Material: Cover-plate: ABS
 Mechanism casing: PC
 Support: PC
 Claws: Steel

Halogen-free
 UV-resistant

Motor: - Box: Zamac
 - Cover: Zamac
 - Pin: Bronze
 - Screws: Steel

Self-extinguishing: 650°C/30 s

■ 6.3 Electrical characteristics

- Impedance: 75 Ohm
- Male connector Ø 9.52 mm (TV)
- Class A shielding efficiency (class A shielding is necessary to prevent interference caused by using new 3 and 4 G phone signals, as these unwanted signals can result in pixellation on screen or adversely affect the sound track).
- Frequency bands: 5-68/120-862 MHz
- Low attenuation: < 1 dB maximum
- Compatible with remote power supply

■ 6.4 Climate characteristics

Storage temperature : -10°C to +70°C
 Use temperature: -5°C to +40°C

7. MAINTENANCE

Surface cleaning with a cloth.
 Do not use: acetone, tar remover, trichloroethylene.

Maintenance with the following products: Hexane (EN 60669-1), Methylated spirit, Soapy water, Diluted ammonia, Bleach diluted to 10%, Window-cleaning products.

Caution: Always test before using other special cleaning products.

8. STANDARDS AND APPROVALS

Compliant with installation and manufacturing standards
 Refer to e. catalogue.

9. PERFORMANCE

Single F-Type TV socket

