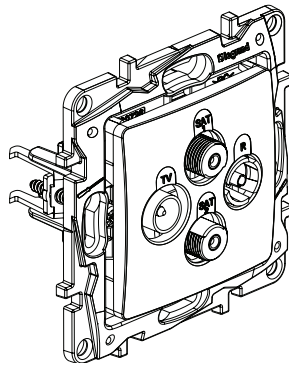


**Nilo<sup>TM</sup> sélection**  
**TV-R-SAT-SAT sockets**



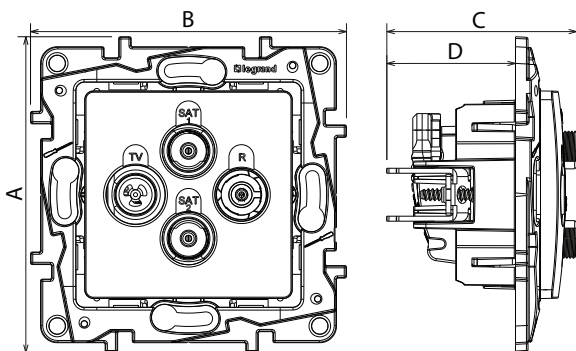
**1. USE**

TV-R-SAT-SAT: For receiving TV, radio and two satellite signals.  
 UHD (ultra high definition) compatible.  
 Class A shielding star wiring.  
 Recommended cable 17/19 VATC.  
 Double cable entry.

**2. RANGE**

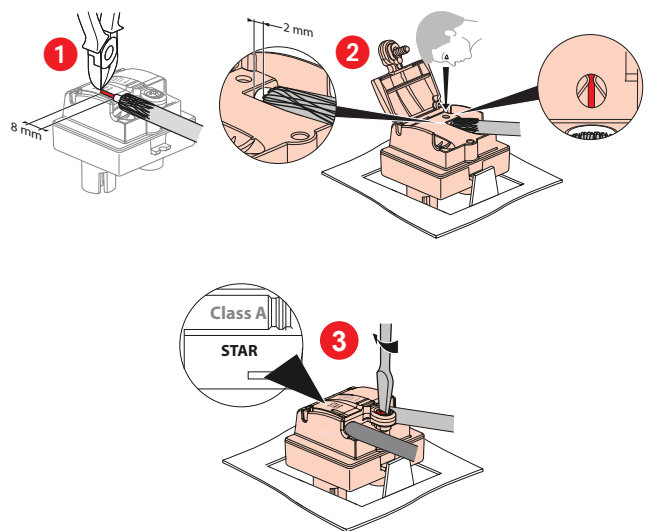
Designation	Aluminium	Anthracite	Smoked grey	Pearl
Male TV-R-SAT-SAT Star socket	7 621 66	7 622 66	7 623 66	7 624 66

**3. DIMENSIONS (mm)**

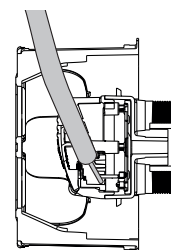
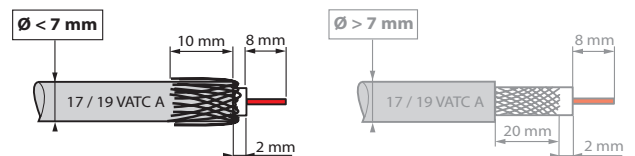


A	B	C	D
75.8	75.8	45.6	30.9

**4. CONNECTION**



**5. WIRING PRECAUTIONS**



Connection from the rear of the socket reduces deformation of the coaxial cable, thus avoiding the risk of impedance loss and impaired performance.

**6. TECHNICAL CHARACTERISTICS**

■ **6.1 Mechanical characteristics**

Protection against solid bodies and liquids: IP 21  
 Protection against impacts: IK 04  
 Cable resistance: 120 N

■ **6.2 Material characteristics**

Material: Cover-plate: ABS  
 Mechanism casing: PC  
 Support: PC  
 Claws: Steel

Halogen-free  
 UV-resistant

Motor: - Box: Zamac  
 - Cover: Zamac  
 - Pin: Bronze  
 - Screws: Steel

Self-extinguishing: 650°C/30 s

■ **6.3 Electrical characteristics**

- Impedance: 75 Ohm  
 - Male connector Ø 9.52 mm (TV)  
 - Class A shielding efficiency (class A shielding is necessary to prevent interference caused by using new 3 and 4 G phone signals, as these unwanted signals can result in pixellation on screen or adversely affect the sound track).  
 - Frequency bands: TV: 5-68/120-862 MHz  
 SAT: 950-2400 MHz  
 - Low attenuation: <1.5 dB

■ **6.4 Climate characteristics**

Storage temperature : -10°C to +70°C  
 Use temperature: -5°C to +40°C

**7. MAINTENANCE**

Surface cleaning with a cloth.  
 Do not use: acetone, tar remover, trichloroethylene.

Maintenance with the following products: Hexane (EN 60669-1), Methylated spirit, Soapy water, Diluted ammonia, Bleach diluted to 10%, Window-cleaning products.

**Caution:** Always test before using other special cleaning products.

**8. STANDARDS AND APPROVALS**

Compliant with installation and manufacturing standards  
 Refer to e. catalogue.

**9. PERFORMANCE**

