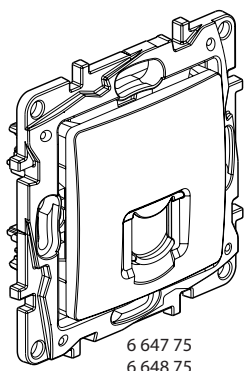
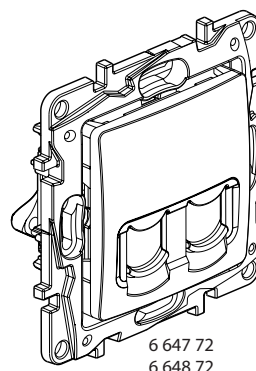


## Niloé™ RJ sockets

Cat. No.(s) : **6 645 73/74/77 - 6 646 73/74**  
**6 647 69/70/72/73/74/75/76/77**  
**6 648 69/70/72/73/74/75/76/77 - 6 651 77**



6 647 75  
6 648 75



6 647 72  
6 648 72

### 1. USE

Niloé provides a range of RJ sockets:

- STP sockets - Cat. 6: multimedia, telephone, data, TV
- FTP/UTP sockets - Cat. 6/Cat.5: telephone, data
- RJ 11 sockets: telephone

Mechanisms to be fitted with finishing plates. Flush-mounting or surface-mounting. Fixed using screws or clips with clip accessory

### 2. RANGE

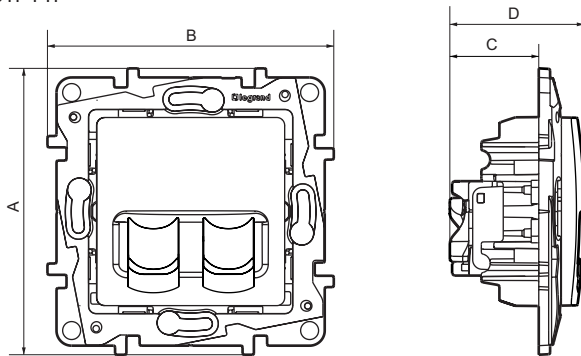
* Supplied with protective cover		Colour			
		White RAL 903	Ivory RAL 113	Aluminium	Anthracite
	 RJ 11 + RJ 45 cat 5 UTP	6 647 72*	6 648 72*		
	 RJ 45 cat 6 UTP	6 645 73* 6 645 74* 6 647 73* 6 647 74*	6 646 73* 6 646 74* 6 648 73* 6 648 74*	6 653 73*	6 654 73*
	 RJ 45 cat 6 FTP	6 645 77* 6 647 77*	6 648 77*		
	 RJ 45 cat 6 STP	6 647 75* 6 647 76*	6 648 75* 6 648 76*		
	 RJ 11 screw	6 647 69*	6 648 69*		
	 RJ 11 + RJ 11 screw	6 647 70*	6 648 70*		
	 RJ 45 cat. 5 FTP	6 651 77*	-		

# Niloé™ RJ sockets

Cat. No.(s) : **6 645 73/74/77 - 6 646 73/74**  
**6 647 69/70/72/73/74/75/76/77**  
**6 648 69/70/72/73/74/75/76/77 - 6 651 77**

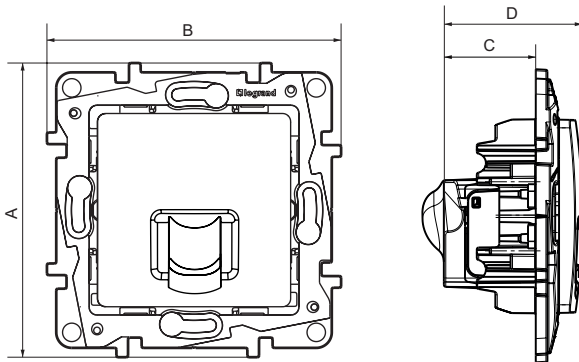
### 3. DIMENSIONS (mm)

UTP-FTP



6 645 73/74/77 - 6 646 73/74  
 6 647 73/74/77 - 6 648 73/74/77 - 6 651 77

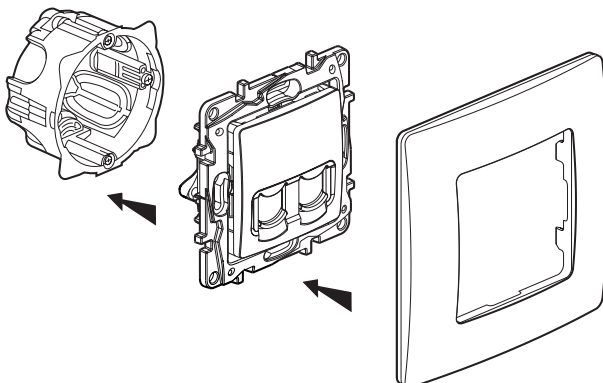
STP



6 647 75/76 - 6 648 75/76

Cat. Nos.	A	B	C	D
6 645 73/74/77 - 6 646 73/74 6 647 73/74/77 - 6 648 73/74/77 6 651 77	75.8	75.8	23.5	35.5
6 647 73/74/77 - 6 648 73/74/77 6 651 77	75.8	75.8	29.2	41.2

### 4. POSITIONING

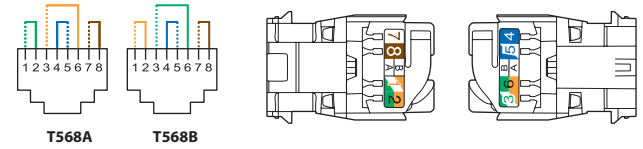


### 5. CONNECTION

Accepts the following cable connectors:  
 RJ 11 (4 contacts), RJ 12 (6 contacts), RJ 45 (9 contacts).

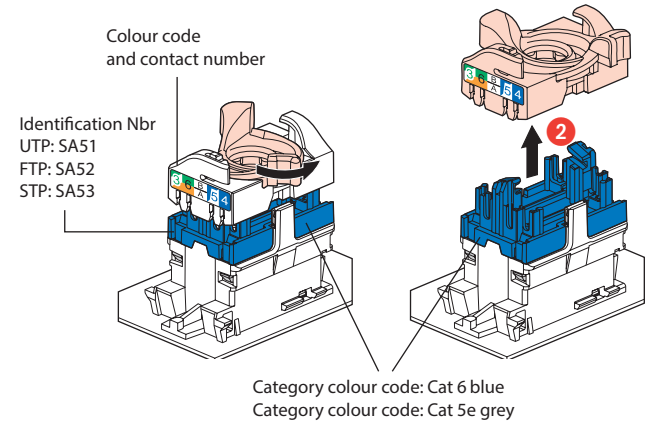
Double colour code T568A and T568B on terminals:

UTP 8 contacts  
 FTP 9 contacts  
 STP 9 contacts 360° screen

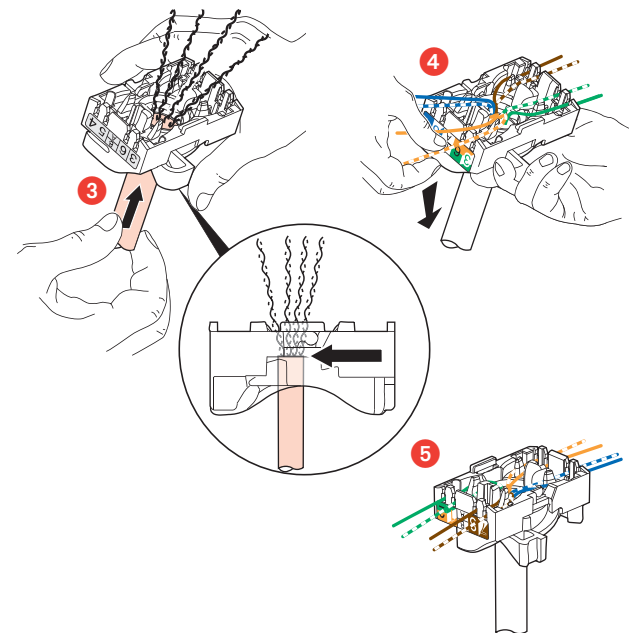


Conductors supported:

- Solid/stranded: 0.4 to 0.65 mm, AWG 26 to 22
  - Polyethylene conductor insulation: Ø 0.85 to 1.7 mm on insulation
- RJ 45 connectors are equipped with a locking nut that does not require the use of a specific tool and which enables re-cabling in the event of error.

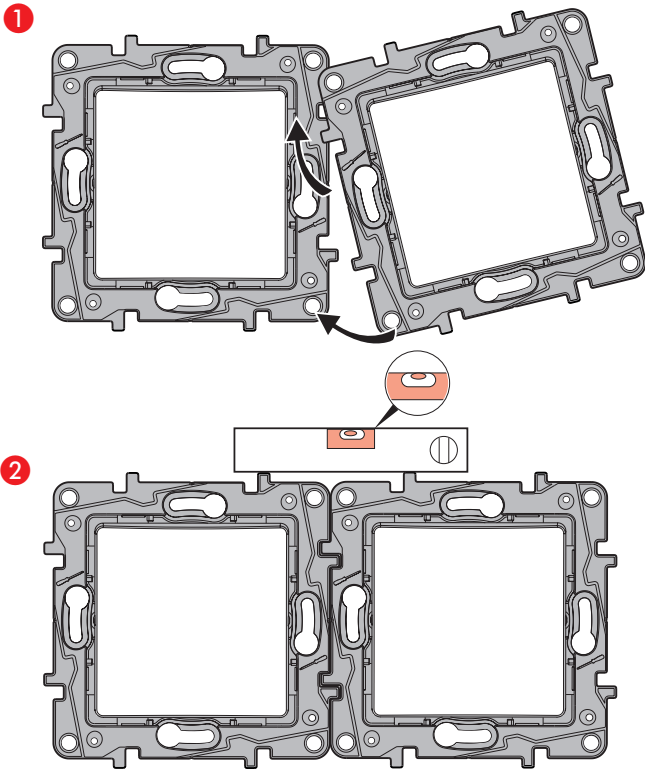


This system allows the wire pairs to be spread easily before mounting them on the connector.



Spreading cables ensures that each pair is separated by the specified 13 mm.  
 Spreading pairs by 90° in relation to the cable ensures optimum performance.

**6. TECHNICAL CHARACTERISTICS**



**■6.1 Protection class**

Protection against solid bodies and liquids: IP 20  
 Protection against impacts: IK 04

**■6.2 Materials**

Poly gloss appearance  
 Colour: White (RAL 903), Ivory (RAL 113), Aluminium and Anthracite  
 Material: - Plate: ABS  
 - Cover plate: Polycarbonate  
 - Base and cove Plate do not contain Halogens  
 - UV resistant

**Self-extinguishing:**

+ 850°C/30 s for insulating parts holding live parts in place  
 + 650°C/30 s for other parts made of insulating materials

**■6.3 Climate conditions**

Storage and operating temperature: - 10°C to + 60°C

**■6.4 Support**

Material: Grey (RAL 737) polycarbonate, zero halogen  
 High impact resistance and torsional strength due to the thickness of the support

Easy guidance for positioning the mechanisms  
 Horizontal or vertical alignment without lifting up the mechanisms too much

**■6.5 Protective cover**

Material: APET, polyester-based plate, very clear, highly resistant to impacts and chemical agents

**7. CLEANING**

Easy-clean (due to poly gloss surface)

**8. STANDARDS AND APPROVALS**

ISO/IEC 11801 series : International standard for generic cabling for customer premises

ANSI/TIA 568 series : North American standard for generic cabling for customer premises

EN 50173 series : European standard for generic cabling for customer premises

IEC 60603-7 series : International standard for connector specifications

**9. RJ45 SOCKETS SPECIFIC CHARACTERISTICS**

Connectors are tested and independently certified to comply with IEC 60512-99-001 and IEC 60512-99-002 for PoE support up to 90w (Type 4).