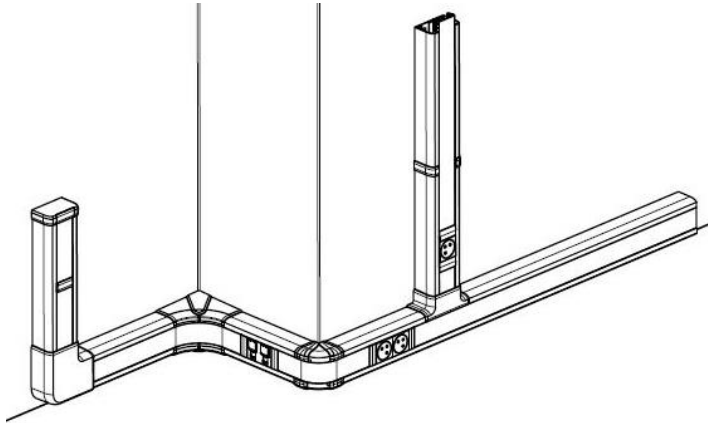


SNAP-ON TRUNKING BLACK

Number(s) 0 757 50/52//55/57/60/62/65/67/70/72/75/79,
0 757 80/85/86



CONTENTS	PAGES
1.Snap-on trunking	1 to 3
2.Accessories	4 to 5
3. Finishing Accessories	6 to 7
4.Technical characteristics	8 to 9
5.Material characteristics	9

1. SNAP-ON TRUNKING.

Snap-on trunking offers:

- the distribution, the protection and the derivation of the various cables in an electrical installation.
- trunkings, finishing accessories (end, joint of lid, joint of body, interior angle, exterior angle, flat angle, derivation)
- all the easy ways/advantages for the installation.
- to comply with the norm EN 50085-2-1, safety and technical performance.
- a flexibility with the installation and maintenance:

Direct Clipping with all the functions of the Mosaic Program (and also the sockets of the market) = by associating the accessory of installation (soluclip)

Direct Clipping with the sockets for trunking Programs Mosaic and RJ45 with integrated accessory = optimal solution for the installation of the sockets into direct clipping trunking

2 new references of trunkings delivered with a cover of 45mm for clips of the equipment on all the range.

This new trunking will allow the universal direct clips of all the mechanisms 45x45 of the market

As an innovative system, the black edition accompanied by the black functions by the Mosaic program propose optimal association for the realization of an electrical installation perfectly adapted to the needs met in the buildings for prestige.

- Target sectors: hotels, stores, shopping centres, prestige offices, buildings architectural, theaters...

- Places of installation: all potentially visible places and that one wishes to make more discrete and/or less sensitive to the stripes, stains (ex. standard : hairdressing salon)

Communication by color codes on packaging of the products.

- Label system on the packaging to facilitate the choice of the products.

- Flexible cover with double fixing, powerful, easy to install and which is integrated well with the angles for an irreproachable aesthetic completion.

- Clips and variability of the angles.

- Pre-drilling of the funds in the trunking with 2 compartments.

1. SNAP-ON TRUNKING (continued)

The IP40 is maintained everywhere thanks to the quality of the trunkings and accessories.

The fitter doesn't have to deal with the quality of the cut to the function of soluclip which hides any defect.

The function of anti-pullout makes it possible not to be intervened on the building site for problems of bad installation of equipment in the trunking.

The safety of the installation is it also increased by this function by eliminating the possibilities from pullout of a socket by an end user (while strongly drawing on a cord or while stumbling feet in the cords)

The function the anti-slip: the fitters will appreciate not to note an inopportune displacement of the equipment at the time of the various phases of installation (poses, wiring, road repair, closing of the covers) being able to involve errors of site of equipment or disconnection.

The black color tinted in the mass decreases the visual perception of the visible defects of cuts possible and left by the absence of the use of the above mentioned accessories

Principle:

Integration of the color tinted in the mass for a better wear resistance and to time.

Brilliant finish for a perfect aesthetic marriage with the new brilliant black Mosaic functions.

Completions:

- Brightness to give a new aspect to the product throughout its existence

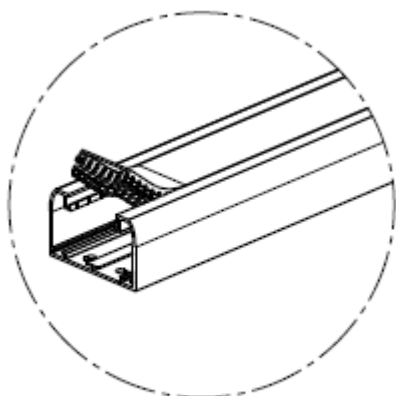
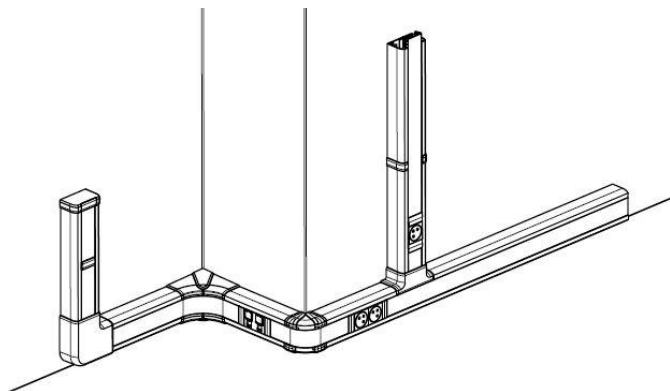
SNAP-ON TRUNKING BLACK

Number(s) 0 757 50/52/55/57/60/62/65/67/70/72/75/79,
0 757 80/85/86

1. SNAP-ON TRUNKING (continued)

1.1 Trunking 50x80 ref 0 757 50 (body and cover)

Trunking 1 compartment :



80X50

Delivered in length of 2m with cover width 45mm.

Black color RAL 9017.

Fixing by:

- wall plugs for immediate fixing (without screw nor nail ref. 0 308 99)
- DLP rapid wall plug ref 0 308 97 (for 10mm maxi plasterboard walls at least 20mm away from the concrete surface)
- screw, nails...

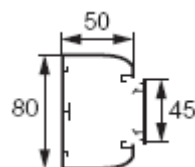
Cut out using a saw (standard hacksaw)

Pack by 20m

1. SNAP-ON TRUNKING (continued)

1.1 Trunking 50x80 ref 0 757 50 (body and cover) (continued)

Dimensions :



Wiring capacity.

Ø maxi : 38mm

Cross-Section : 2934mm²

50x80



	Cross section Maxi (A)	Capacity with Mosaic support(A)
1,5mm ²	177	94
2,5mm ²	131	70
4mm ²	115	61
6mm ²	85	45
3x1,5mm ²	26	13
3x2,5mm ²	19	10
UTP & FTP CAT.6	58	31

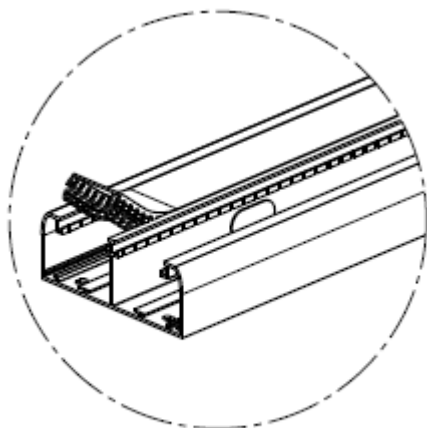
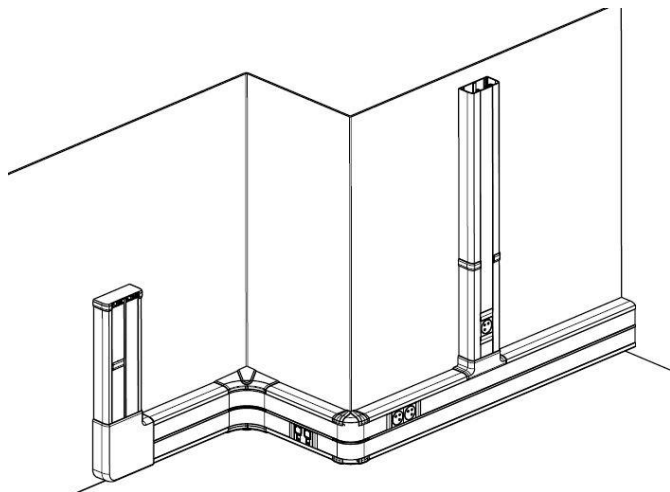
SNAP-ON TRUNKING BLACK

Number(s) 0 757 50/52//55/57/60/62/65/67/70/72/75/79,
0 757 80/85/86

1. SNAP-ON TRUNKING (continued)

1.2 Trunking 50x130 ref 0 757 52 (body and cover)

Trunking 2 compartments :



130X50

Delivered in length of 2m with cover width 45mm

Black color RAL 9017.

Fixing by:

- wall plugs for immediate fixing (without screw nor nail ref. 0 308 99)
- DLP rapid wall plug ref 0 308 97 (for 10mm maxi plasterboard walls at least 20mm away from the concrete surface)
- screw, nails...

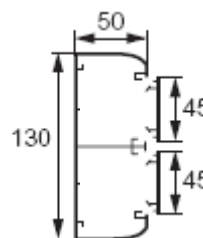
Cut out using a saw (standard hacksaw)

Pack by 12m

1. SNAP-ON TRUNKING (continued)

1.2 Trunking 50x130 ref 0 757 52 (body and cover) (continued)

Dimensions :

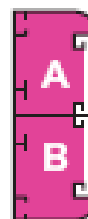


Wiring capacity.

Ø maxi : 38mm

Cross-Section : 2442mm² in each compartment

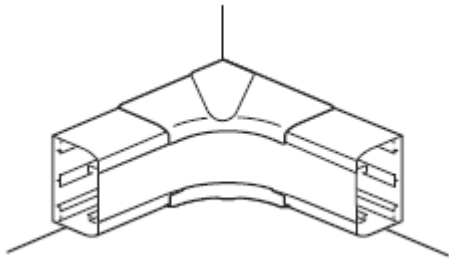
50x130



	Cross section Maxi (A/B)	Capacity with Mosaic support(A/B)
1,5mm ²	148	65
2,5mm ²	109	48
4mm ²	96	42
6mm ²	71	31
3x1,5mm ²	21	9
3x2,5mm ²	16	7
UTP & FTP CAT.6	48	21

2. ACCESSORIES.

2.1 Internal angle ref. 0 757 60/62.



Black color RAL 9017.

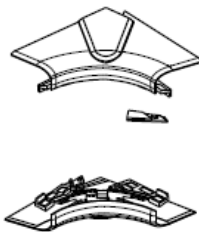
The junction in interior angle of two pieces of the same section:

- avoid to miter 2 pieces of trunking
- respect of the degree protection

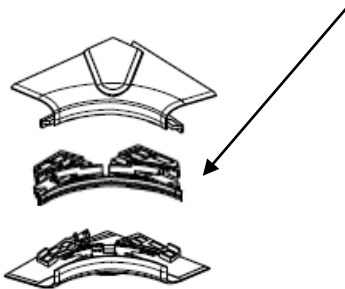
Assembly on the body by clipsage.

The internal angles thus ensure the continuity of the flexible cover on the angles do not require cut of cover, and look after aesthetics. Variable internal angles of 80 with 100°.

The internal angles are delivered with 2 elements (ex: for trunking 1 compartment)



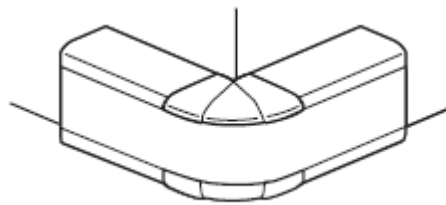
The internal angles are delivered with 3 elements (ex: for trunking 2 compartments with partition junction)



References	Pack	For trunking
0 757 60	10	50x80
0 757 62	5	50x130

2. ACCESSORIES (continued)

2.2 External angle ref. 0 757 65/67.



Black color RAL 9017.

The junction in exterior angle of two pieces of the same section:

- avoid to miter 2 pieces of trunking
- respect of the degree protection

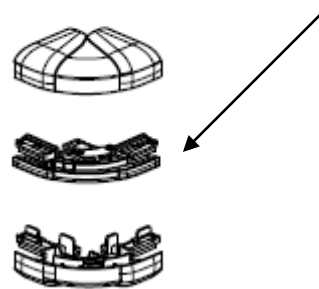
Assembly on the body by clipsage.

The external angles thus ensure the continuity of the flexible cover on the angles do not require cut of cover, and look after aesthetics. Variable external angles of 85 with 120°.

The external angles are delivered with 2 elements (ex: for trunking 1 compartment)



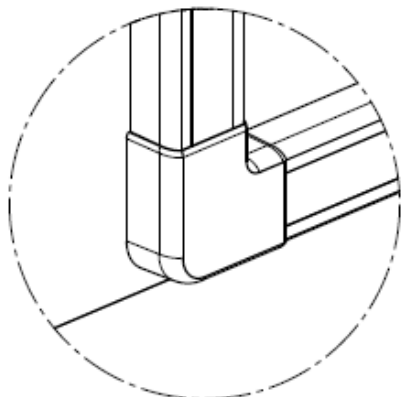
The external angles are delivered with 3 elements (ex: for trunking 2 compartment with partition junction)



References	Pack	For trunking
0 757 65	10	50x80
0 757 67	5	50x130

2. ACCESSORIES (continued)

2.3 Flat angle ref. 0 757 70/72.



Black color RAL 9017.

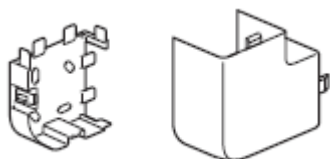
The junction in flat angle of two same sections allows:

- avoid to miter 2 pieces of trunking
- respect of the degree protection
- the distribution of the various currents preserves

Assembly on the body by clipsage.

Angles not variable (fixes at 90°)

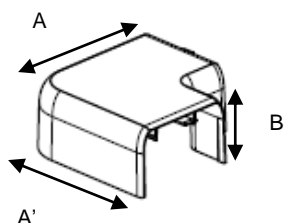
The flat angles are delivered with 2 elements.



References	Pack	For trunking
0 757 70	10	50x80
0 757 72	5	50x130

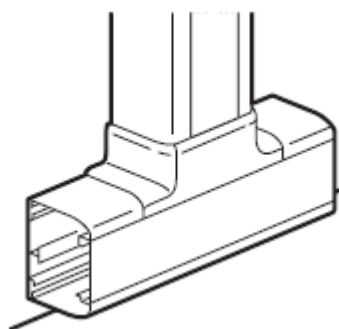
Dimension Flat angle :

	A	A'	B
L 80	123,3	123,3	52,3
L 130	175,3	175,3	52,8



2. ACCESSORIES (continued)

2.4 Flat junction ref. 0 757 75.



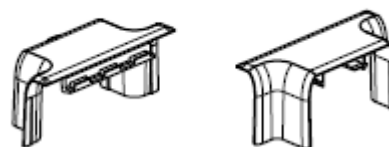
Black color RAL 9017.

The junction in "T" allows.

- respect of the degree protection

Assembly on the body by clipsage

Example with 80x50 :

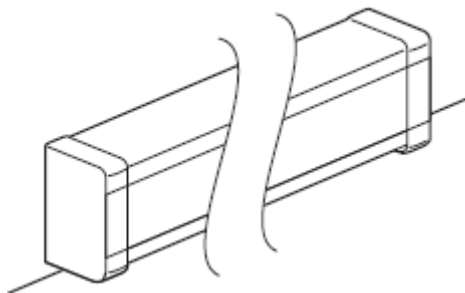


To tap-off to an 80mm wide trunking:

References	Pack	For trunking
0 757 75	5	50x80/130

3. FINISHING ACCESSORIES.

3.1. End cap ref. 0 757 55/57.



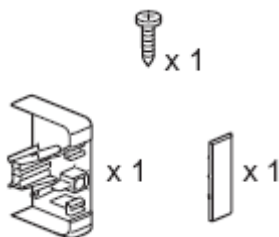
Black color RAL 9017.

Allows to block the end of the body:

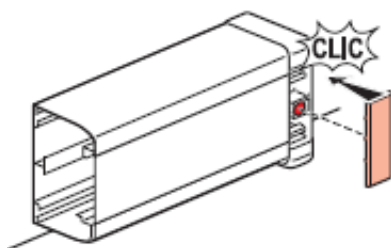
- respect of the degree protection
- improvement of aesthetics (covering of the cut)
- left or right end cap

Assembly on the body by fitment and screwing.

The end cap is delivered with a screw and of a part of closing



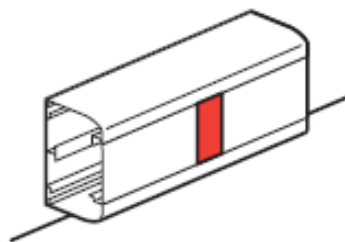
Pose (requiring more place) provided with a part of closing which facilitates the intervention on the trunking by a simple access to the compartments



References	Pack	For trunking
0 757 55	10	50x80
0 757 57	5	50x130

3. FINISHING ACCESSORIES (continued)

3.2 Cover joint ref. 0 757 85



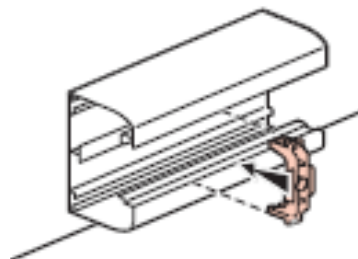
Black color RAL 9017.

Allows:

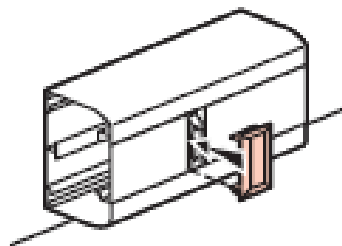
- the junction end to end of two covers
- respect of the degree protection
- to improve aesthetics (covering of the cut)

Pack by 10

Assembly of the cover joint by clipsage of the two parts



By removing the part of completion of the cover joint, that gives access simply the cover to withdraw it and facilitates the intervention in the compartment.

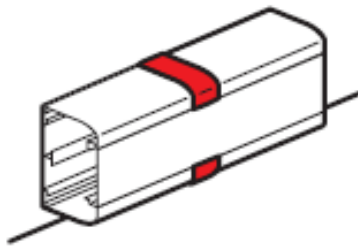


SNAP-ON TRUNKING BLACK

Number(s) 0 757 50/52/55/57/60/62/65/67/70/72/75/79,
0 757 80/85/86

3. FINISHING ACCESSORIES (continued)

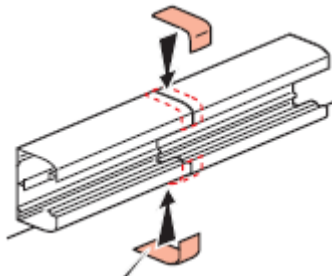
3.3 Body joint ref. 0 757 80



Black color RAL 9017.

Allows:

- the junction end to end of two same section
- respect of the degree protection
- to improve aesthetics (covering of the cut)
- fixing by adhesive, poses at the end of the installation

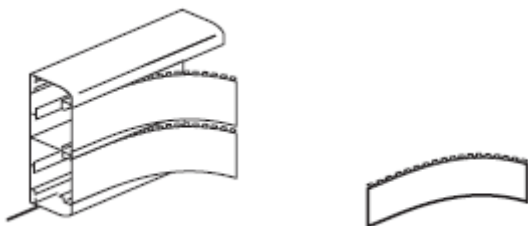


Pack by 20

Ref. 0 757 80, adhesive body joint for trunking to small sides of 17mm (50x80 and 50x130)



3.4 Flexible cover ref 0 757 79



Black color RAL 9017.

Delivered in length of 2m.

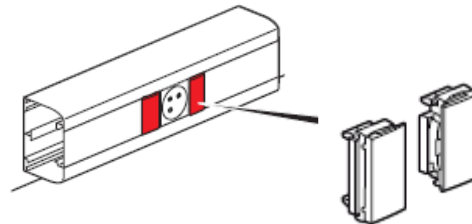
Cut out using a saw (standard hacksaw)

Assembly on the body by clipsage.

Pack by 20m

3. FINISHING ACCESSORIES (continued)

3.5 Soluclip accessory ref. 0 757 86

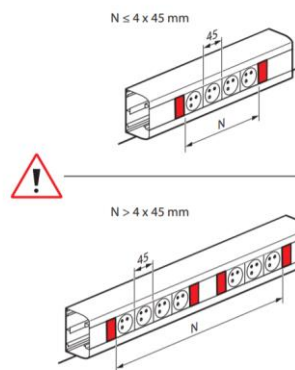


Black color RAL 9017.

Pack by 10 (10 set of 2)

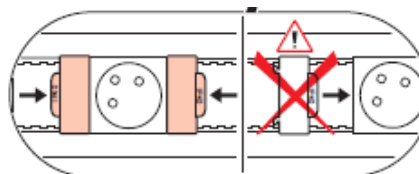
Allows:

- anti-slip
- anti-pullout
- perfect finish
- respect of the degree protection (IP4X)



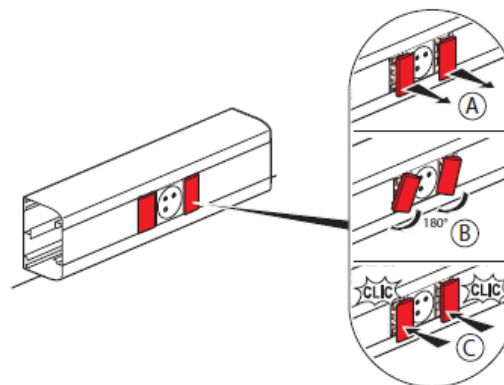
	N
1 x 0 757 86	1 → 4
2 x 0 757 86	5 → 8
3 x 0 757 86	9 → 12
4 x 0 757 86	13 → 16

Be careful with the sens of soluclip :



Installation principle for sockets for snap-on trunking :

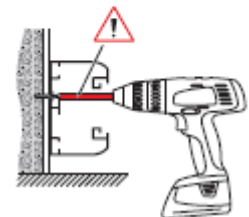
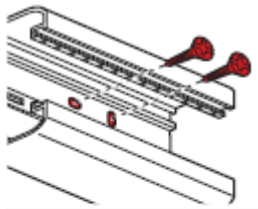
- A= disengage the finishing piece
- B= rotate the finishing piece by 180°
- C= snap on the finishing piece



4. TECHNICAL CHARACTERISTICS

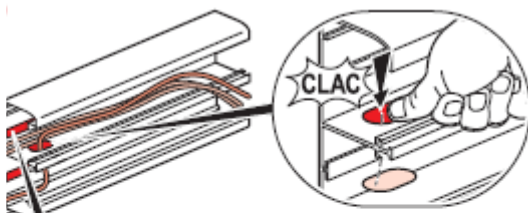
Possibility of adapting removable separations (for the separation of the currents in the same compartment)

Funds of the bodies provided with holes for fixing, facilitating the upgrade of the trunking (balance/slope)



- Bodies notched on the ends for obtaining the anti-slip function, association with the accessory Soluclip (equipment delivered equipped with the Soluclip accessory)

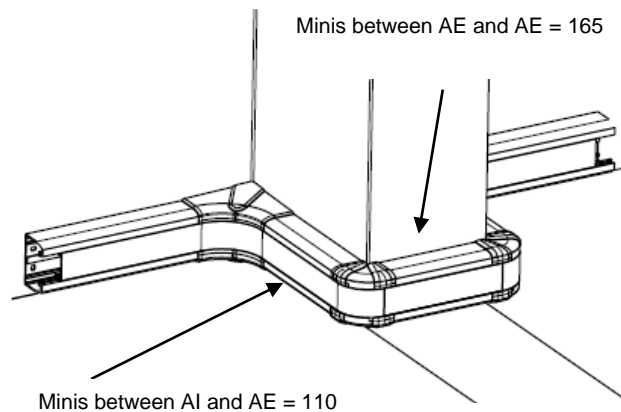
Specifications holes of partition: facilitate the passage of the cables between two compartments.



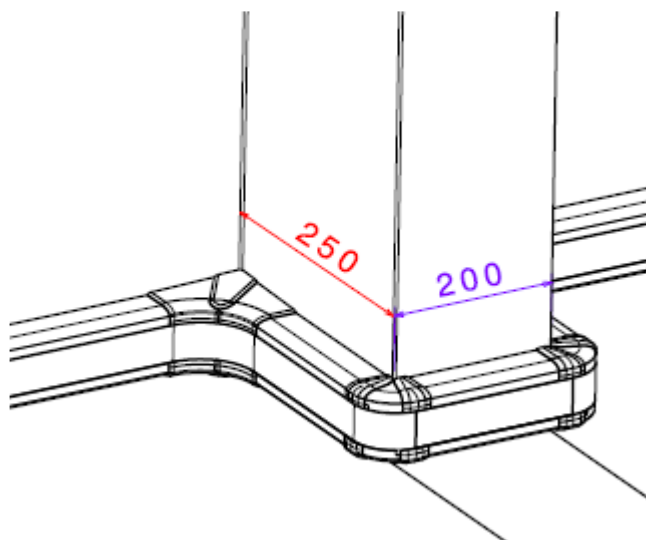
4. TECHNICAL CHARACTERISTICS (continued)

Information concerning the dimensions of installation of the interior angles and external:

Dimensions minimums (in mm) between angle inter/exter or angle exter/exter



Mini dimension in mm to be respected allowing the installation of angle inter/exter: (in the case of a skirting of post for example)



4. TECHNICAL CHARACTERISTICS (continued)

Classification of trunking EN 50085-2-1

6.2 Resistance to impact for installation and application	2.0J
6.3 Minimum storage and transport temperature	- 25°C
6.3 Minimum installation and application temperature	- 5°C
6.3 Maximum application temperature	+ 60°C
6.4 Resistance to flame propagation	Non-flame propagating
6.5 Electrical continuity characteristic	Without electrical continuity characteristic
6.6 Electrical insulating characteristic	With electrical insulating characteristic
6.7 Degrees of protection provided by enclosure	IP40
6.9 The system access cover retention	With a tool
6.101 The position when surface mounted	Wall fixed Celling fixed
6.102 The functions provided	Type 1
Rated voltage	500 V
Protection against mechanical shocks	IK 07

Compositions and functions of trunking (1 system per line) EN 50085-2-1 :

Body+cover	Trunking		End cap
	references	Section (mm ²)	
50x80	0 757 50	2934	0 757 55
50x130	0 757 52	2442/2442	0 757 57

5. MATERIAL CHARACTERISTICS.

The trunkings, covers and partitions are in PVC Black RAL 9017.

Plastic accessories:

The accessories are in plastic ABS Black RAL 9017.