

Universal columns and accessories (export range)

Cat. No(s) : 0 111 88 – 0 310 69 – 0 30787 – 5 102 01/02/03 – 6 530
 56/66/67/68 – 6 530 75 – 6 531 10/11/12/13/14/15 – 6 531
 30/31/32/33/34/35 – 6 531 69 – 6 531 80/81/82/83 – 6 531 78/79 –
 980985 to 90



6 531 10/11/12/13/14/15



6 531 30/31/32/33/34/35

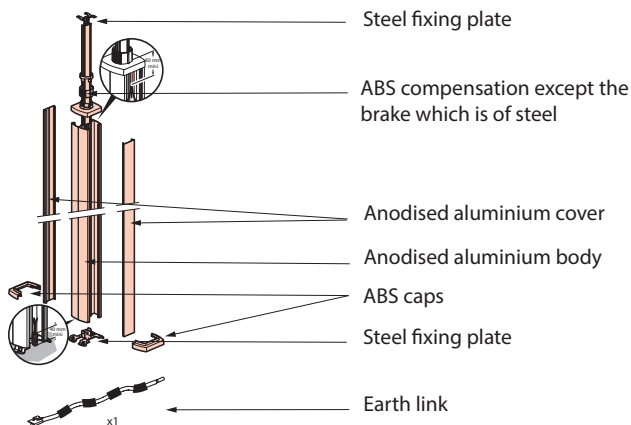
1. DESCRIPTION & COMPOSITION

■ 1 or 2 compartments columns

Range & Characteristics :

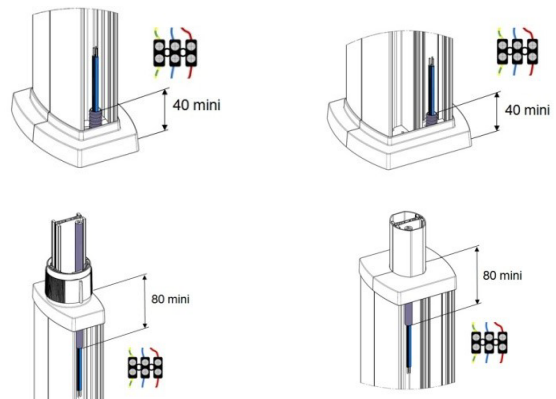
- . white = RAL 9003
- . black = RAL 9017
- . alu = anodised (no RAL)

Universal	colour	body	cover	mini & maxi installation height		
				2,77m to 4,05m	4,02m to 5,3m	
	1 cpt U	white	alu	alu	6 531 10	6 531 13
		alu			6 531 11	6 531 14
		black			6 531 12	6 531 15
	2 cpt U	white	alu	alu	6 531 30	6 531 33
		alu			6 531 31	6 531 34
		black			6 531 32	6 531 35

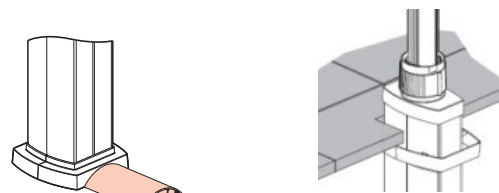


2. INSTALLATION

Installation inside only. Be sure to be in accordance with the electrical installation and earthing procedures.
 To be used with of Arteur or Mosaic wiring devices.
 Power supply via cable.
 Be sure to respect the mini cable length or sheath from the bottom of the column



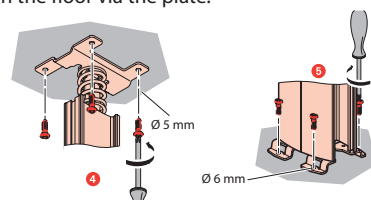
Power supply through the floor, via ceiling or via raised floor/over floor trunking.



Installation compatible with over floor trunking

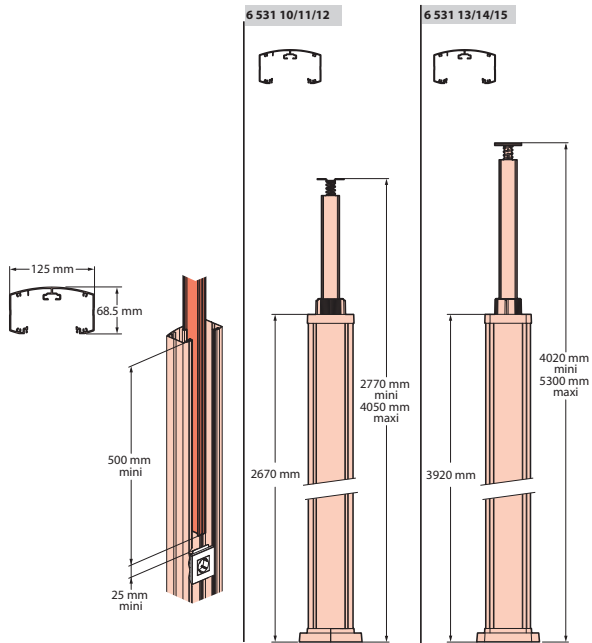
- 50x12 number 0 300 92
- 75x18 numbers 0 300 88/90/91/93
- 92x20 numbers 0 328 00

Be sure to be in accordance with the columns fixation. In order to get a safe and lasting installation, columns have to be screwed on the floor via the plate.

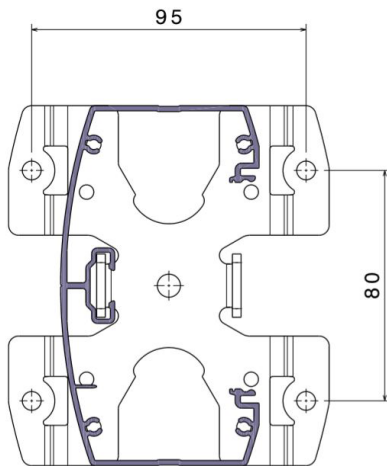


3. DIMENSIONS

■ 3.1 - 1 compartment columns cat. nos 6 531 10/11/12/13/14/15

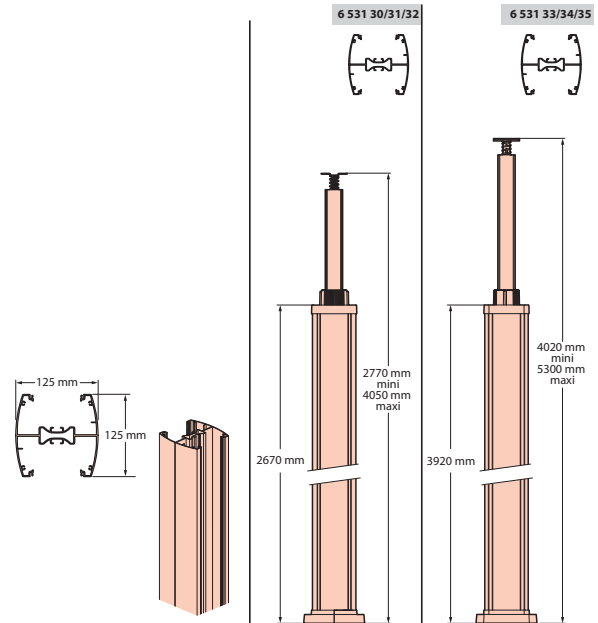


Mounting holes centers dimensions
For 1 compartment columns cat. nos 6 531 10/11/12/13/14/15

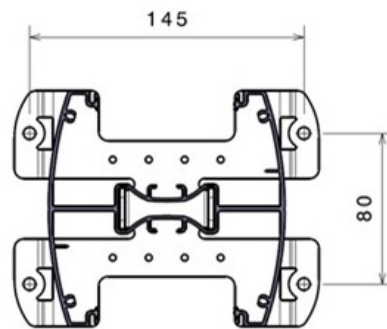


3. DIMENSIONS (cont.)

■ 3.2 - 2 compartments columns cat. nos 6 531 30/31/32/33/34/35

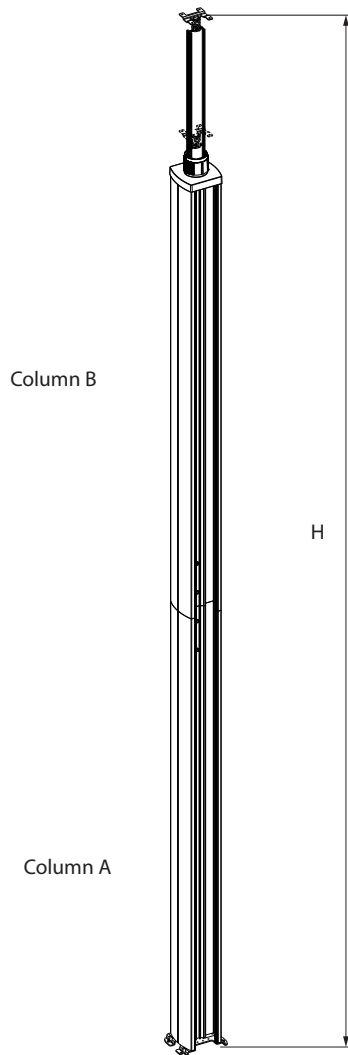


Mounting holes centers dimensions
For 2 compartments columns cat. nos 6 531 30/31/32/33/34/35



3. DIMENSIONS (cont.)

■ 3.3 - 2 compartments big heights columns



alu body	2 cpts	Column A	Column B	H Maxi
white colour		6 531 33	6 531 33	8 300 mm
		6 531 33	6 531 30	7 050 mm
		6 531 30	6 531 30	5 800 mm
alu		6 531 34	6 531 34	8 300 mm
		6 531 34	6 531 31	7 050 mm
		6 531 31	6 531 31	5 800 mm
black colour		6 531 35	6 531 35	8 300 mm
		6 531 35	6 531 32	7 050 mm
		6 531 32	6 531 32	5 800 mm

For heights from 5 300 to 8 300 mm, please contact on demand department via your LEGRAND sales representative, in order to get one detailed instruction sheet.

4. TECHNICAL CHARACTERISTICS

■ 4.1 Classification of columns/mini-columns systems according to standard EN 50085-1 & EN 50085-2-4

	Column
6.2 Resistance to impact for installation and application	2 J
6.3 Minimum storage and transport temperature	-25°C
6.3 Minimum installation and application temperature	-5°C
6.3 Maximum application temperature	60°C
6.4 Resistance to flame propagation	Non-flame propagating
6.5 Electrical continuity characteristic	Yes
6.6 Electrical insulating characteristic	without electrical insulating characteristic
6.7 Degrees of protection provided by enclosure	IP 3XD
6.9 The system access cover retention	with a tool
6.101 Floor treatment	Dry-treatment of floor
6.102 Resistance to vertical load	Non applicable
Electrical impedance	5mΩ/m
Transversal section	look at cabling capacity on following page
Protection against mechanical impact	IK07

■ 4.2 Composition of columns systems according to EN 50085-1 & EN 50085-2-4

Designation	Cat. nos
1 compartment	6 531 10/11/12/13/14/15
2 compartments	6 531 30/31/32/33/34/35

■ 4.3 Others characteristics

RoHs material	European directive 2002/95/CE : 27/01/2003
Product Environmental Profile : available	PEP sheet
Coating	International standard DIN EN ISO846

4. TECHNICAL CHARACTERISTICS (cont.)

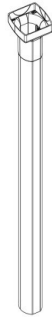
■ 4.4 Universal cover 80 cabling capacity

		COLUMN PROFILE			
		1 COMPARTMENT		2 COMPARTMENTS	
		J	K	L	M
	Section (mm²)	6900	5050	6170	4280
∅ of cable	∅7 mm	84	58	90	70
	∅9 mm	72	50	62	42
	∅11 mm	44	32	44	26

		According to the arrival of cables					
		1	2	3	4		
∅ of cable	∅7 mm	34	26	84	12		
	∅9 mm	26	20	72	6		
	∅11 mm	16	12	44	4		
∅ of cable	∅7 mm	70	24	180	12		
	∅9 mm	50	20	124	6		
	∅11 mm	28	10	88	4		

5. ACCESSORIES

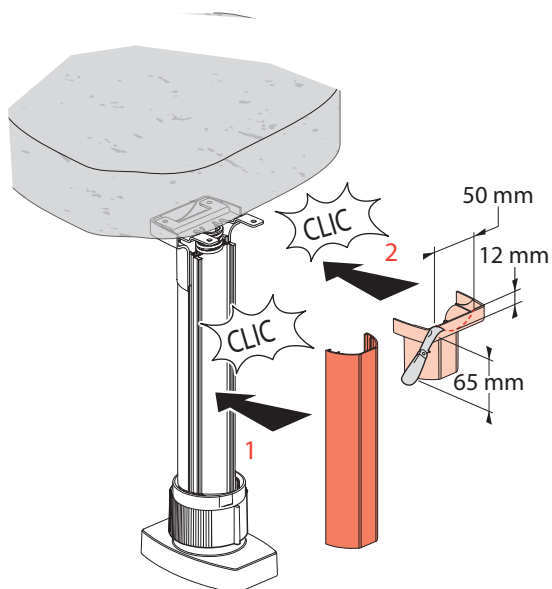
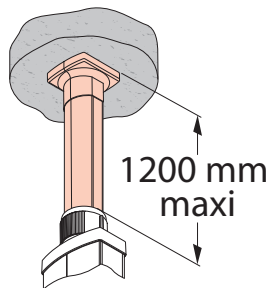
■ **5.1 Finishing kit for telescopic pole for 1 or 2 compartments columns cat. nos 6 530 66/67/68**



Cat. Nos	Colours
6 530 66	white
6 530 67	grey
6 530 68	black

This kit allows an aesthetic finishing of telescopic pole, of the cable leading down and its height adjustment at the top of the column.

Consists of 2 PVC covers and a base



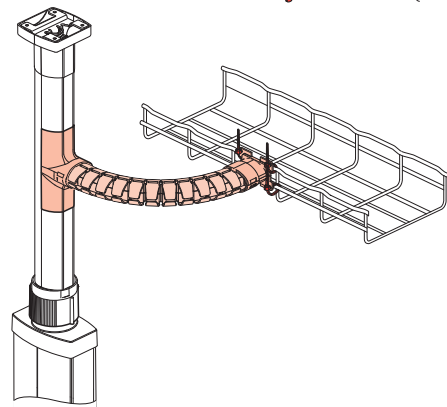
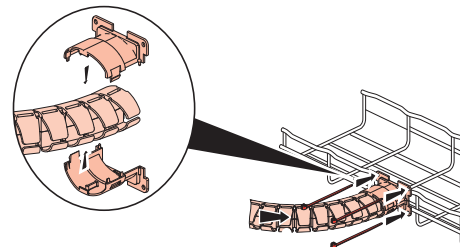
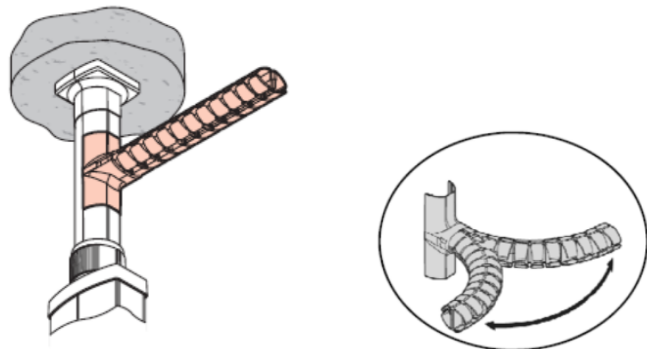
Material :
- covers : PVC
- base : ABS

5. ACCESSORIES(cont.)

■ **5.2 Flexible Ovaline kit cat. no 6 530 56 for telescopic pole finishing kit**



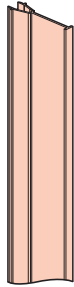
This 1 m length accessory allows one aesthetic horizontal connection between the column and cable trays.
To fix on the column.



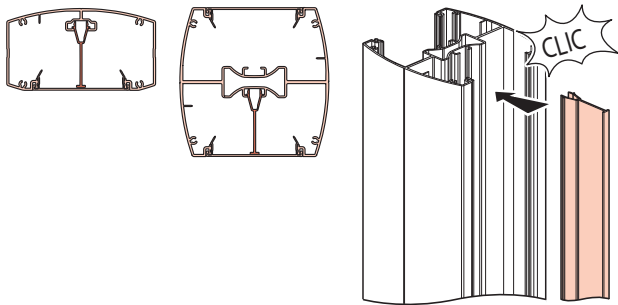
Material :
- Flexible Ovaline : Polypropylène
- Connection accessories : ABS

5. ACCESSORIES (cont.)

■ **5.3 Metal separation partition cat. no 6 531 69**



It allows the separation in a same compartment, between power and data cables.



Material : Aluminium

■ **5.4 Supports for modular wiring devices**

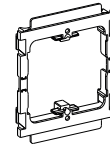


Cat. Nos	Colours
0 310 69	white
0 307 87	aluminium
6 530 75	black

For mounting modular wiring devices (such as MCBs) on minicolumns.
To be used with two 0.5 module spacing units cat. no 4 063 07
Capacity : 1 module
Equipped with protective cover to prevent unwanted triggering
Material : ABS (back part) + PC (front part)

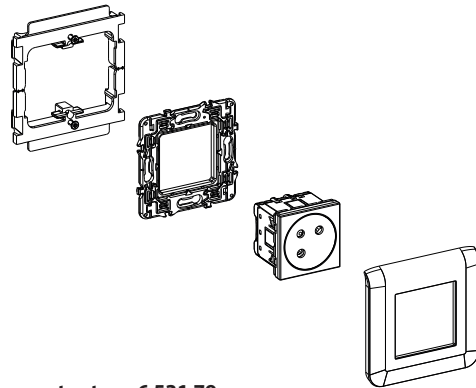
5. ACCESSORIES (cont.)

■ **5.5 Support cat. no 6 531 78**

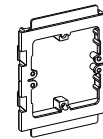


Support for mounting Mosaic wiring accessories 2 and 3 modules
Material : ABS

Installation :

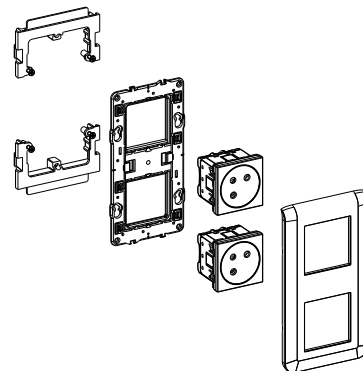


■ **5.6 Support cat. no 6 531 79**



Support for mounting 4, 5, 6, 7, 8 modules Arteor or Mosaic and Belanko wiring accessories.

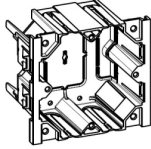
Installation :



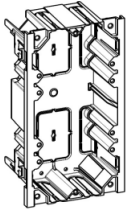
5. ACCESSORIES (cont.)

■ 5.7 Boxes cat. nos 5 102 01/02/03

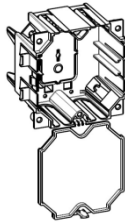
5.7.1 - 1 gang mounting box cat. no 5 102 01



5.7.2 - 2 gang mounting box cat. no 5 102 02



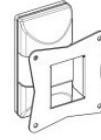
5.7.3 - 3 gang mounting box cat. no 5 102 03



5. ACCESSORIES (cont.)

■ 5.8 Support for fixing TV

5.8.1 Support cat. no 6 531 81 for fixing TV 10-26" /25-66 cm (VESA 75x75 – 100x100)



Allowed maximum weight : 15 kgs
Material : Metal

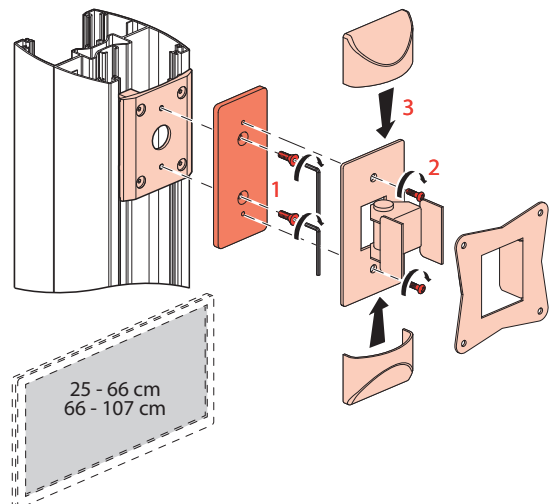
5.8.2 Support cat. no 6 531 82 for fixing TV 26-42" /66-107 cm (VESA 200x100 – 200x200)



Orientation :

lateral	45° right – 45° left	
top and down	15°	

Allowed maximum weight : 30 kgs
Material : Metal



5. ACCESSORIES (cont.)

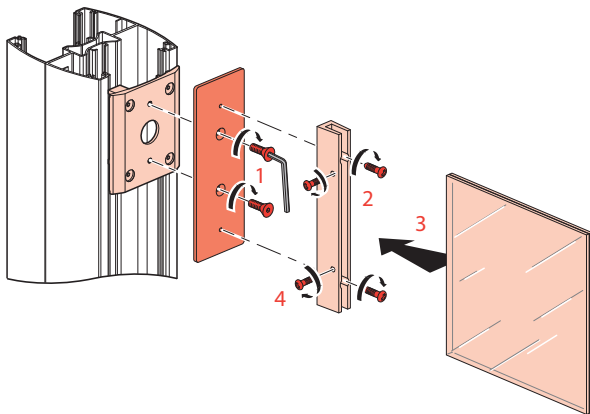
■ **5.9 Panel indicator cat. no 6 531 80**



This simple and aesthetic accessory allows you to slide in any information.



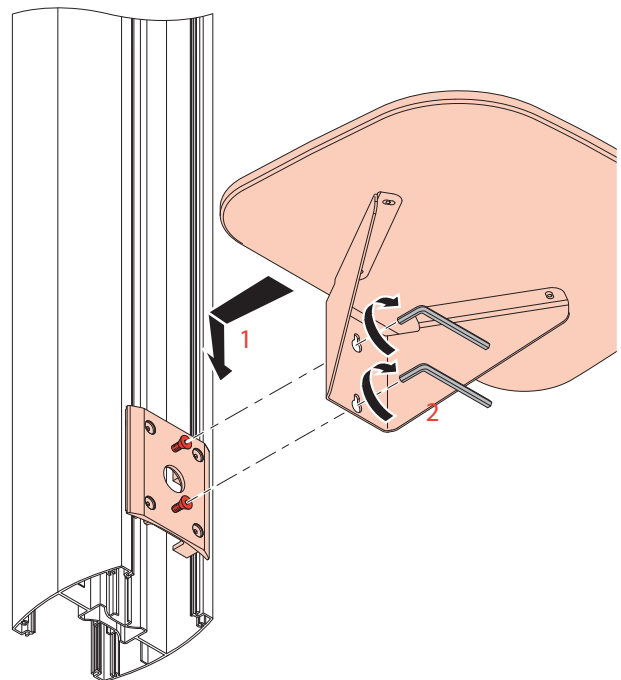
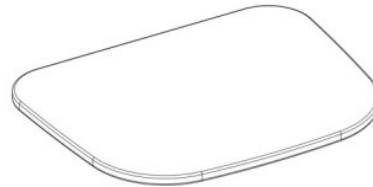
Attention !! This accessory is not made for replacing one urgency emergency lighting luminaire and should not be considered as one.



Panel indicator dimension : 150 x 150 mm
Material : Alu + glass

5. ACCESSORIES (cont.)

■ **5.10 White shelf cat. no 6 531 83**



Dimensions : 380 x 300 x 12 mm
Allowed maximum weight : 15 kg
Material :
- shelf = Corian® (cf §6.1)
- mounting bracket = steel

■ **5.11 Earth link cat. no 0 111 88**



Allows earth link for the mini-columns
(20 pcs/cat. no)

6. CORIAN

■ 6.1 Characteristics



Short Form Classification Report No. 16893B

PRODUCT

DuPont Corian® Solid Surface

SPONSOR

DuPont De Nemours (Belgium) BVBA

PRODUCT DETAILS

- Thickness: Between 6 mm and 12.3 mm (± 0.7 mm)
- Density: Between 1645 kg/m³ and 1770 kg/m³
- Colour/pattern: Any colour variation allowed
- Use of fire retardants: No
- Product composition: No variation allowed
- Product construction: No variation allowed

FIELD OF APPLICATION

- Construction applications used over any substrate with a density equal to or greater than 800 kg/m³, having a minimum thickness of 12.5 mm and a fire performance of A2 or better.
- Product installed utilizing Corian® silicone sealant only


CLASSIFICATION

C-s1,d0


STANDARDS

Test standards: EN ISO 11925-2:2002 & EN 13823:2002
Classification standard: EN 13501-1-2007

SIGNED BY


Niek De Pauw (Signature)
Project assistant
Ghent
2016.06.14 13:22:00 +02'00'

APPROVED BY


Bart Sette (Signature)
General Manager
2016.06.15 10:27:43
+02'00'

For and on behalf of WFRGENT nv

This short form classification report has been drafted according to EGOLF agreement EGA 08rev2:2013 "Application note: clause 5.10 [5.10/1] – Types of test reports used in fire testing". Whilst the test data and classification provided within this short form report was obtained in a test conducted fully in accordance with the standards EN ISO 11+25-2:2002, EN 13823:2002 and EN 13501-1:2007, the presentation of the results in this short form report may not satisfy the requirements of those standards and EN ISO/IEC 17025:2005/AC:2006. The presentation of the results in this manner is made by agreement with the sponsor and use of the information herein for product assessment, approval or certification purposes will be restricted.

The full classification report No.185122 (Issue 4) is available at DuPont De Nemours (Belgium) BVBA.

This document is the original version of this report and is written in English. This document may be used only literally and completely for publications. For publications of certain texts, in which this document is mentioned, our permission must be obtained in advance. The authenticity of the electronic signatures is assured by Belgium Root CA.

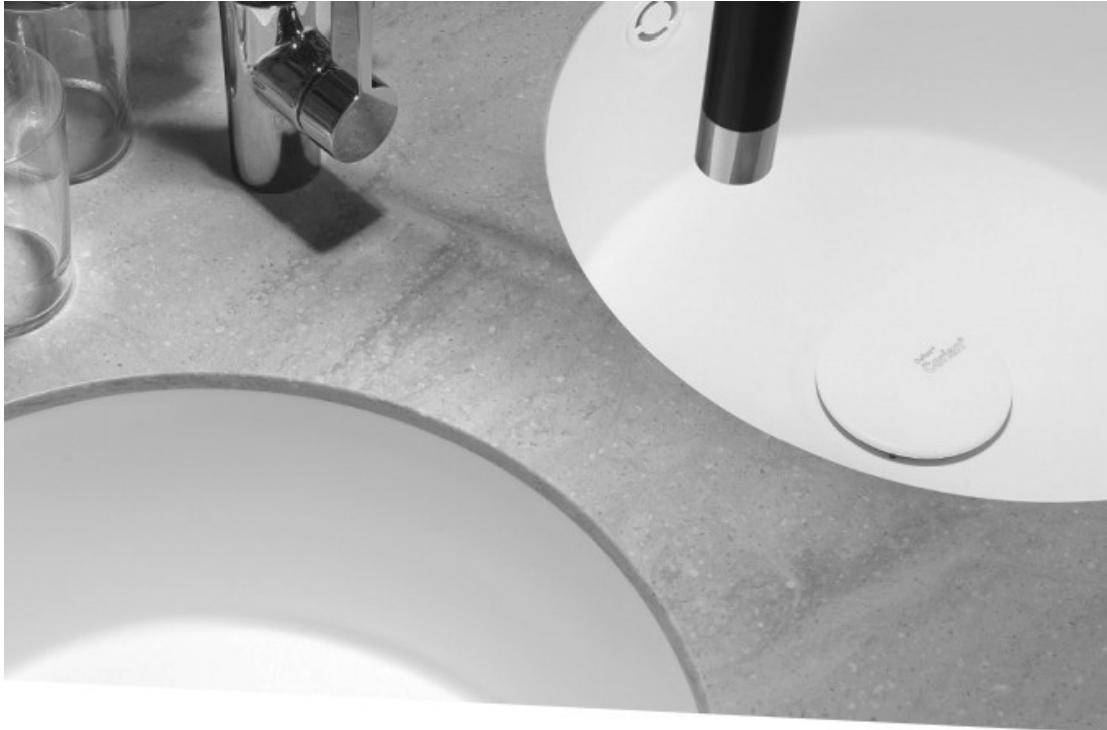


WFRGENT NV - Ottergemsesteenweg-Zuid 711 - B-9000 Cent - België
t: +32 9 243 77 50 - f: +32 9 243 77 51 - e: info@wfrgent.com
BTW/VAT/IVA: BE0870.418.414 - Ondernemingsnummer: RPR GENT 0870.418.414

WFRGENT NV is een spin-offbedrijf van de Universiteit Gent, voornamelijk Laboratorium voor Aansluiting der Brandstoffen en Warmteoverdracht - Afdeling Brandveiligheid
WFRGENT NV is a spin-off company from the University of Ghent, previously the Laboratory for Heat Transfer and Fuel Technology - Fire Safety Division
WFRGENT SA est une compagnie spin-off de l'Université de Gand, autrefois le Laboratoire pour l'Emploi des Combustibles et la Transmission de la Chaleur - Division Sécurité Incendie

6. CORIAN (cont.)

■ **6.2 Cleaning**



Caring for DuPont™ Corian®

Pleje af DuPont™ Corian®

Pflegehinweise für DuPont™ Corian®

Uso y cuidado de DuPont™ Corian®

Entretien des produits DuPont™ Corian®

Cura dei materiali DuPont™ Corian®

Onderhoud van DuPont™ Corian®

Vedlikehold av DuPont™ Corian®

Wskazówki dotyczące użytkowania i konserwacji materiału DuPont™ Corian®

Skötsel av DuPont™ Corian®

DuPont™ Corian® 'in Bakımı

Φροντίδα του DuPont™ Corian®

Уход за поверхностями DuPont™ Corian®



Corian.



ENDLESS EVOLUTION

6. CORIAN (cont.)

■ 6.2 Cleaning

ENGLISH

Caring for DuPont™ Corian®

DuPont™ Corian® was created for a lifetime of easy care. Just follow the simple guidelines listed here to help keep your Corian® surfaces looking beautiful.

Routine care of your Corian® surface

For everyday cleaning, use soapy water or widely available surface cleaners.
Remove excess detergent with a soft cloth, rinse surface with warm water and dry with a soft cloth.
If necessary use a microfibre cloth and rub over the surface with an ammonia based cleaner, then rinse with water.
This procedure will remove most dirt and residue from your Corian® surfaces.
Always clean using a circular motion, from the front to the back, then side to side, overlapping the circles until the entire area has been cleaned. Do not use abrasive or mild abrasive cleaners on high gloss or dark surfaces.
Be aware that limescale can build up if water is left to dry on the surface.
To prevent this, it is important to wipe the surface completely dry with a microfibre cloth after spills and cleaning.
Some colours of Corian® may require more frequent cleaning to maintain a uniform finish.

Special care for stubborn stains

Residues from stubborn stains may require heavier cleaning.
Follow the recommendations below to clean these specific stains from your Corian® surface and shapes effectively.

Vinegar, coffee, tea, lemon juice, vegetable juice, dyes, ketchup, lily pollen, saffron, light scratches, cigarette burns, shoe polish, ink, marker pen, iodine, mildew, mercurochrome, blood, red wine, perfume:
Use a damp microfibre cloth and a mild abrasive cleaning product (except on high gloss or dark surfaces).

Grease, fat and oil residues: Use a microfibre cloth and rub over the stain with some diluted bleach.
Rinse several times with warm water and dry with a soft cloth.
Bleach can discolour DuPont™ Corian® if not removed completely by rinsing with water afterwards.

Hard water scale, soap, minerals: Use a microfibre cloth and rub over the stain with a standard household limescale remover or vinegar and leave for 2-4 minutes.
Using a second clean microfibre cloth, rinse the area thoroughly with water.

Nail varnish spills: Use a microfibre cloth and rub over the stain with a non-acetone based nail varnish remover.
Rinse several times with warm water and dry with a soft cloth.

If the stain is still visible, repeat the operation, this time using very fine-grain sanding paper; If the stain persists, contact our Warranty Centre.

How to prevent permanent damage

Be sure to follow these guidelines to help prevent permanent damage to your Corian® installation.
Avoid getting strong chemicals – eg paint removers, oven cleaners, acid drain cleaners, acetone based nail varnish removers etc – on your surface. If a spill does occur, promptly flush the surface with water to fully rinse off the chemical.
Do not clean using aggressive chemical agents such as acetone, oven cleaners, thinners, strong acids (muriatic acid etc) or strong bases (caustic soda etc), or industrial detergents or paint solvents.
If a spill does occur, promptly flush the surface with water to fully rinse off the chemical.
Do not use metal scrapers, iron brushes or other domestic metal tools to remove stains, paints, plaster or other substances.

In the case of severe damage, please contact the DuPont™ Corian® Warranty Centre, which will put you in touch with a local DuPont™ Corian® Quality Network Industrial Partner or Service Centre for professional re-sanding or repairing of your DuPont™ Corian® installation. DuPont™ Corian® Quality Network Service Centres are certified by DuPont to carry out expert repair and finishing work. They can also handle installation work and offer maintenance contracts to commercial customers to maintain DuPont™ Corian® installations in prime condition.

Kitchen applications

SPECIAL CARE FOR SINKS

Remove all the fat and oil residues resulting from food preparation from the sink, using a detergent or surface cleaner. If necessary, use a mild abrasive cleaning pad or sponge.
Fill the sink with diluted household bleach (25% bleach and 75% water) and leave for ½ hour. Afterwards, rinse thoroughly – you should have a beautifully clean sink, with very little effort.

6. CORIAN (cont.)

■ 6.2 Cleaning

ENGLISH

PREVENTING HEAT AND OTHER DAMAGE

It is important to minimise direct heat exposure to protect your Corian® surface. Always use a heat protection pad, trivet (with rubber feet) or protective sink mat for hot cookware, or leave cookware to cool on the hob first. Never put hot pans, particularly cast iron pans, directly onto a DuPont™ Corian® top or in a Corian® sink. Always use the correct size pan on the hob and place it centrally on the ring. An overhanging pan can scorch the surrounding surface.

As with most sinks, pouring boiling liquids directly into a DuPont™ Corian® sink without running cold water at the same time may damage the material. If you have an instant boiling water tap, a container should always be used to collect the water as boiling water from this type of tap may cause surface damage in and around the sink. Do not cut directly on Corian® surfaces. Use a chopping board.

Bathroom applications

DAILY MAINTENANCE OF WASH BASINS, SHOWER TRAYS AND BATHTUBS

Simply clean the surface with soapy water or any common detergent in order to remove most of the stains and dirt that may be deposited. Gel or creamy detergents are particularly recommended, together with a mild abrasive cleaning pad or sponge, ensuring that you rinse the treated area properly.

By doing this, the original matt finish will be maintained. Some substances such as ink, cosmetics and dyes may release colour onto the surface after extended contact with the surface.

All of these can easily be removed by following the special instructions for stubborn stains.

ATTENTION

Shower trays and bathtubs cannot be used autonomously by people with reduced motor skills, or with sensory and/or cognitive impairments (including children).

For your personal safety, use them at a maximum water temperature of 40°C.

Avoid using them in the vicinity or while using electrical appliances.

Pay special attention when using shower trays and bathtubs alone or after taking medicines.

Guaranteed Quality

With proper care, your Corian® surface will stay looking like new. Your DuPont™ Corian® surface carries a Limited Installed Warranty when fabrication and installation are carried out by a Corian® Industrial Partner and member of the Corian® Quality Network. If you decide to sell your home, your warranty is transferable to the new owners. For complete details, go to our website (www.corian.com) to review the warranty guidelines applicable for your product.

This information is based on technical data that E. I. du Pont de Nemours and Company and its affiliates ("DuPont") believe to be reliable, and is intended for use by persons having technical skill and at their own discretion and risk. DuPont cannot and does not warrant that this information is absolutely current or accurate, although every effort is made to ensure that it is kept as current and accurate as possible. Because conditions of use are outside DuPont's control, DuPont makes no representations or warranties, express or implied, with respect to the information, or any part thereof, including any warranties of title, non-infringement of copyright or patent rights of others, merchantability, or fitness or suitability for any purpose and assumes no liability or responsibility for the accuracy, completeness, or usefulness of any information. This information should not be relied upon to create specifications, designs, or installation guidelines. The persons responsible for the use and handling of the product are responsible for ensuring the design, fabrication, or installation methods and process present no health or safety hazards. Do not attempt to perform specification, design, fabrication, or installation work without proper training or without the proper personal protection equipment. Nothing herein is to be taken as a license to operate under or a recommendation to infringe any patents. DuPont shall have no liability for the use of or results obtained from such information, whether or not based on DuPont's negligence. DuPont shall not be liable for (i) any damages, including claims relating to the specification, design, fabrication, installation, or combination of this product with any other product(s), and (ii) special, direct, indirect or consequential damages. DuPont reserves the right to make changes to this information and to this disclaimer. DuPont encourages you to review this information and this disclaimer periodically for any updates or changes. Your continued access or use of this information shall be deemed your acceptance of this disclaimer and any changes and the reasonableness of these standards for notice of changes.



7. SPARE PARTS

			COLUMNS				SPARE PARTS		
			2m	3,3m	2,8m to 4,05m	4,05m to 5,3m			
			mobile	standard	standard	standard	Up & lower caps (2 parts)		
Universal		1 cpt U			6 531 10	6 531 13	980985		
					6 531 11	6 531 14	980986		
					6 531 12	6 531 15	980987		
		2 cpt U			6 531 30	6 531 33	980988		
					6 531 31	6 531 34	980989		
					6 531 32	6 531 35	980990		