

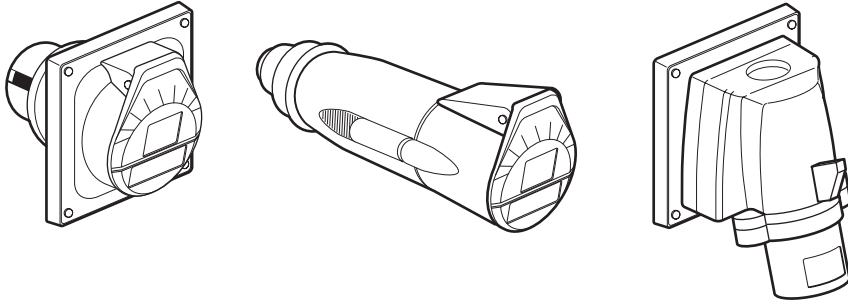
IP44 and 66/67 P17 plugs, mobile sockets, socket outlets and appliance inlets

Cat. No.(s) : 521 00/01/02/03/05 - 539 49 - 552 XX - 553 XX
 559 XX - 562 XX - 563 XX - 564 XX - 565 XX - 568 XX
 573 XX - 574 XX - 575 XX - 576 XX - 577 21/22
 580 XX - 581 XX 582 XX - 587 XX - 591 XX

CONTENT

Page

1. General characteristics 1
 2. Range 1 to 5
 3. Dimensions 5 to 10
 4. Technical characteristics 10 to 11
 5. Connection 11
 6. Wiring diagram 12
 7. Standards, decree, agreements 12
 8. Accessories 12



1. TECHNICAL CHARACTERISTICS

- IP44 : 16 to 32A
- IP66/67 : 16 to 125A
- Material : plastic
- IK 09

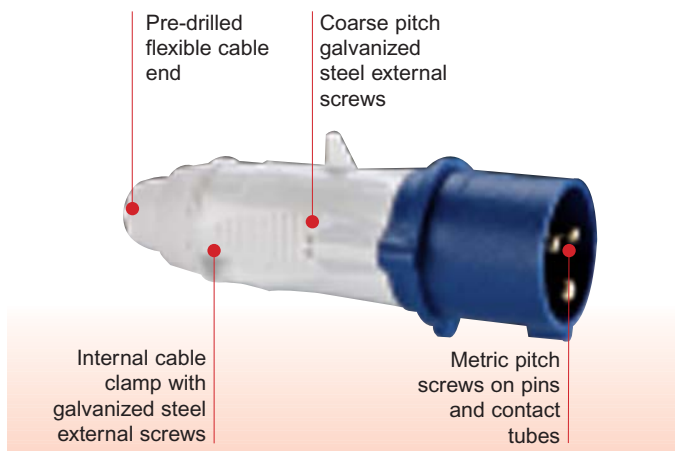
A. Socket outlets and appliance inlets

- Connection via captive screws (16 and 32 A)
- Philips screws (flat or Philips screwdriver)
- Angle :
 - 10° panel mounting sockets with single fixing centers (70 x 70)
 - 20° inclined panel mounting sockets
 - 75° surface mounting sockets
 - 80° appliance inlets
- Removable support of active parts (surface mounting sockets)

B. Plugs and mobile sockets

- Connection via captive screws (16 and 32 A)
- Flexible nozzle on all the IP44 range
- Captive internal cable clamp for the IP44 range and cable gland with clamping claw for the IP66/67 range and IP44 angled plugs, clamping accessible from outside, enabling quick checking that clamping is correct.
- Fast captive zinc plated steel screws to close the product.

Quick installation



2. RANGE

Surface mounting socket 16/32/63/125A IP44 and IP66/67

				IP44	IP 66/67	
ELV	20 to 50V~	16A	2P	55206		
			3P	55207		
			32A	2P	55256	
		40 to 50V~	16A	3P	55257	
				2P	55208	
				3P	55209	
	20 to 50V=	32A	2P	55258		
			3P	55259		
	LV	100 to 130V~	16A	2P	55210	
				3P	55260	
				32A	2P+E	55350
			3P+E		55351	55301
3P+N+E			55352		55302	
200 to 250V~			63A	2P+E	55370	55320
		3P+E		55371	55321	
		3P+N+E		55372	55322	
		125A	2P+E		55340	
			3P+E		55341	
			3P+N+E		55342	
380 to 415V~		16A	2P+E	55353	55303	
			3P+E	55354	55304	
			3P+N+E	55355	55305	
		32A	2P+E	55373	55323	
			3P+E	55374	55324	
			3P+N+E	55375	55325	
		63A	2P+E		58740	
			3P+E		58741	
			3P+N+E		58742	
		125A	3P+E		59100	
			3P+N+E		59101	
			480 to 500V~	16A	2P+E	55356
3P+E		55357			55307	
3P+N+E	55358	55308				
32A	2P+E	55376		55326		
	3P+E	55377		55327		
	3P+N+E	55378		55328		
63A	2P+E		55346			
	3P+E		58744			
	3P+N+E		58745			
125A	3P+E		59106			
	3P+N+E		59107			
	480 to 500V~	16A	3P+E	55359	55309	
3P+N+E			55360	55310		
32A			3P+E	55379	55329	
63A	3P+N+E	55380	55330			
	3P+E		55348			
	3P+N+E		55349			

IP44 and 66/67 P17 plugs, mobile sockets, socket outlets and appliance inlets

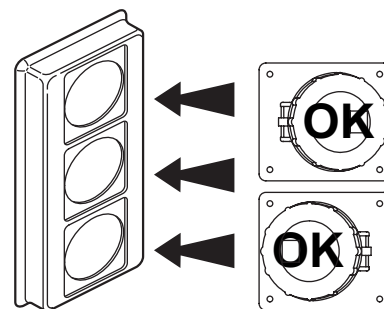
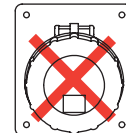
Cat. No.(s) : 521 00/01/02/03/05 - 539 49 - 552 XX - 553 XX
 559 XX - 562 XX - 563 XX - 564 XX - 565 XX - 568 XX
 573 XX - 574 XX - 575 XX - 576 XX - 577 21/22
 580 XX - 581 XX 582 XX - 587 XX - 591 XX

2. RANGE (continued)

Panel mounting sockets 16/32A IP44

				Single fixing center 70 x 70	Inclined outlet	Straight outlet	
ELV	20 to 25V~	16A	2P	55245		55211	
			3P	55246		55212	
		32A	2P	55295		55261	
			3P	55296		55262	
		40 to 50V~	16A	2P	55247		55213
				3P	55248		55214
	32A		2P	55297		55263	
			3P	55298		55264	
	20 to 50V=		16A	2P	57350		55215
			32A	2P	58050		55265
	LV	100 to 130V	16A	2P+E	57610	57361	57351
				3P+E		57362	
3P+N+E					57363		
32A			2P+E	57608		58051	
			3P+E	57609			
			3P+N+E				
200 to 250V		16A	2P+E	57611	57364	57354	
			3P+E	57615	57365		
			3P+N+E	57621	57366		
		32A	2P+E	57612		58054	
			3P+E	57616			
			3P+N+E	57622			
380 to 415V		16A	2P+E		57367		
			3P+E	57617	57368	57358	
			3P+N+E	57623	57369	57359	
		32A	2P+E	57614			
			3P+E	57618		58058	
			3P+N+E	57624		58059	
480 to 500V		16A	3P+E	57619	55959		
			3P+N+E	57625	55960		
		32A	3P+E	57620			
			3P+N+E	57626			

Reminder about the installation of the IEC sockets on the face-plate 577 14.



Note : Only the panel mounting sockets (70 x 70) can be fixed on the pre-drilled face plates of the P17 combined units.

IP44 and 66/67 P17 plugs, mobile sockets, socket outlets and appliance inlets

Cat. No.(s) : 521 00/01/02/03/05 - 539 49 - 552 XX - 553 XX
 559 XX - 562 XX - 563 XX - 564 XX - 565 XX - 568 XX
 573 XX - 574 XX - 575 XX - 576 XX - 577 21/22
 580 XX - 581 XX 582 XX - 587 XX - 591 XX

2. RANGE (continued)

Panel mounting sockets 16/32/63/125A IP66/67

LV				Single fixing centres 70 x 70	Inclined outlet	
LV	100 to 130V~	16A	2P+E	57650	55900	
			3P+E		55901	
			3P+N+E		55902	
		32A	2P+E	57648		
			3P+E	57649		
			3P+N+E			
		63A	2P+E			55940
			3P+E			55941
			3P+N+E			55942
	200 to 250V~	16A	2P+E	57651	55903	
			3P+E	57655	55904	
			3P+N+E	57661	55905	
		32A	2P+E	57652		
			3P+E	57656		
			3P+N+E	57662		
		63A	2P+E			58720
			3P+E			58721
			3P+N+E			58722
	125A	3P+E			59110	
		3P+N+E			59111	
	380 to 415V~	16A	2P+E	57653	55906	
			3P+E	57657	55907	
			2P+N+E	57663	55908	
		32A	2P+E	57654		
			3P+E	57658		
			3P+N+E	57664		
		63A	2P+E			55946
			3P+E			58724
			3P+N+E			58725
125A		3P+E			59116	
		3P+N+E			59117	
480 to 500V~	16A	3P+E	57659	55909		
		3P+N+E	57665	55910		
	32A	3P+E	57660			
		3P+N+E	57666			
	63A	3P+E			58727	
		3P+N+E			55950	

Note : Only the panel mounting sockets (70 x 70) can be fixed on the faceplates of the P17 combined units.

See the installation on the faceplate 577 14 (page 2/12).

2. RANGE (continued)

Mobile sockets 16/32/63/125A IP44 and IP66/67

ELV				IP44	IP 66/67	
ELV	20 to 25V~	16A	2P	55231		
			3P	55232		
		32A	2P	55281		
			3P	55282		
		40 to 50V~	16A	2P	55233	
				3P	55234	
	32A		2P	55283		
			3P	55284		
	20 to 50V=	16A	2P	55235		
		32A	2P	55285		
	LV	100 to 130V~	16A	2P+E	57501	56200
				3P+E	57502	56201
3P+N+E				57503	56202	
32A			2P+E	58201	56220	
			3P+E	58202	56221	
			3P+N+E	58203	56222	
63A			2P+E		56240	
			3P+E		56241	
			3P+N+E		56242	
200 to 250V~		16A	2P+E	57504	56203	
			3P+E	57505	56204	
			3P+N+E	57506	56205	
		32A	2P+E	58204	56223	
			3P+E	58205	56224	
			3P+N+E	58206	56225	
		63A	2P+E		58710	
			3P+E		58711	
			3P+N+E		58712	
125A		3P+E		59130		
		3P+N+E		59131		
380 to 415V~		16A	2P+E	57507	56206	
			3P+E	57508	56207	
			3P+N+E	57509	56208	
		32A	2P+E	58207	56226	
			3P+E	58208	56227	
			3P+N+E	58209	56228	
		63A	2P+E		56246	
			3P+E		58714	
			3P+N+E		58715	
	125A	3P+E		59136		
		3P+N+E		59137		
480 to 500V~	16A	3P+E	56359	56209		
		3P+N+E	56360	56210		
	32A	3P+E	56379	56229		
		3P+N+E	56380	56230		
	63A	3P+E		58717		
		3P+N+E		56250		

IP44 and 66/67 P17 plugs, mobile sockets, socket outlets and appliance inlets

Cat. No.(s) : 521 00/01/02/03/05 - 539 49 - 552 XX - 553 XX
 559 XX - 562 XX - 563 XX - 564 XX - 565 XX - 568 XX
 573 XX - 574 XX - 575 XX - 576 XX - 577 21/22
 580 XX - 581 XX 582 XX - 587 XX - 591 XX

2. RANGE (continued)

Straight plugs 16/32/63/125A IP66/67

				IP44	IP 66/67	
ELV	20 to 25V~	16A	2P	55221		
			3P	55222		
		32A	2P	55271		
			3P	55272		
		40 to 50V~	16A	2P	55223	
				3P	55234	
	32A		2P	55273		
			3P	55274		
	20 to 50V=	16A	2P	55225		
		32A	2P	55275		
	LV	100 to 130V~	16A	2P+E	57421	56300
				3P+E	57422	56301
3P+N+E				57423	56302	
32A			2P+E	58121	56320	
			3P+E	58122	56321	
			3P+N+E	58123	56322	
63A			2P+E		56340	
			3P+E		56341	
			3P+N+E		56342	
200 to 250V~			16A	2P+E	57424	56303
				3P+T	57425	56304
				3P+N+E	57426	56305
		32A	2P+E	58124	56323	
			3P+E	58125	56324	
			3P+N+E	58126	56325	
		63A	2P+E		58700	
			3P+E		58701	
			3P+N+E		58702	
		125A	3P+E		59120	
			3P+N+E		59121	
		380 to 415V~	16A	2P+E	57427	56306
3P+E				57428	56307	
3P+N+E				57429	56308	
32A			2P+E	58127	56326	
			3P+E	58128	56327	
			3P+N+E	58129	56328	
63A			2P+E		56346	
			3P+E		58704	
			3P+N+E		58705	
125A			3P+E		59126	
			3P+N+E		59127	
480 to 500V~			16A	3P+E	56359	56309
		3P+N+E		56360	56310	
		32A	3P+E	56379	56329	
			3P+N+E	56380	56330	
		63A	3P+E		58707	
	3P+N+E			56350		

2. RANGE (continued)

Angled plugs 16/32A IP44, IP66/67

				IP44	IP 66/67
LV	100 to 130V~	16A	2P+E	56450	56500
			3P+E	56451	56501
			3P+N+E	56452	56502
		32A	2P+E	56470	56520
			3P+E	56471	56521
			3P+N+E	56472	56522
	200 to 250V~	16A	2P+E	56453	56503
			3P+E	56454	56504
			3P+N+E	56455	56505
		32A	2P+E	56473	56523
			3P+E	56474	56524
			3P+N+E	56475	56525
	380 to 415V~	16A	2P+E	56456	56506
			3P+E	56457	56507
			3P+N+E	56458	56508
		32A	2P+E	56476	56526
			3P+E	56477	56527
			3P+N+E	56478	56528
	480 to 500V~	16A	3P+E	56460	56509
			3P+N+E	56461	56510
		32A	3P+E	56480	56529
			3P+N+E	56481	56530

IP44 and 66/67 P17 plugs, mobile sockets, socket outlets and appliance inlets

Cat. No.(s) : 521 00/01/02/03/05 - 539 49 - 552 XX - 553 XX
 559 XX - 562 XX - 563 XX - 564 XX - 565 XX - 568 XX
 573 XX - 574 XX - 575 XX - 576 XX - 577 21/22
 580 XX - 581 XX 582 XX - 587 XX - 591 XX

2. RANGE (continued)

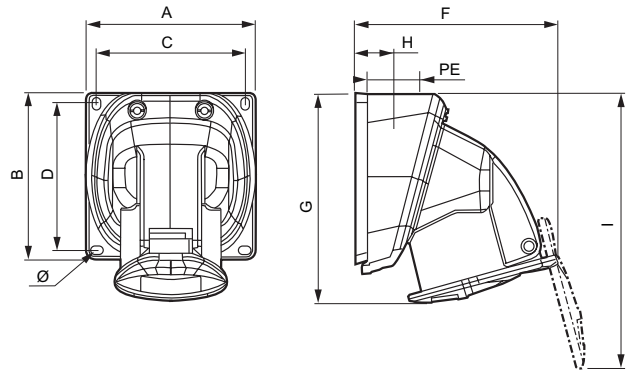
Appliance inlets 16/32/63/125A IP44, IP66/67

				IP44	IP 66/67	
ELV	20 to 25V~	16A	2P	55241		
			3P	55242		
		32A	2P	55291		
			3P	55292		
		40 to 50V~	16A	2P	55243	
				3P	55244	
	32A		2P	55293		
			3P	55294		
	20 to 50V=	16A	2P	57560		
		32A	2P	58260		
	LV	100 to 130V~	16A	2P+E	57581	56800
				3P+E	57582	56801
3P+N+E				57583	56802	
32A			2P+E	58281	56820	
			3P+E	58282	56821	
			3P+N+E	58283	56822	
63A			2P+E		56840	
			3P+E		56841	
			3P+N+E		56842	
200 to 250V~			16A	2P+E	57584	56803
				3P+E	57585	56804
				3P+N+E	57586	56805
		32A	2P+E	58284	56823	
			3P+E	58285	56824	
			3P+N+E	58286	56825	
		63A	2P+E		58730	
			3P+E		58731	
			3P+N+E		58732	
		125A	3P+E		59140	
			3P+N+E		59141	
		380 to 415V~	16A	2P+E	57587	56806
3P+E				57588	56807	
3P+N+E				57589	56808	
32A			2P+E	58287	56826	
			3P+E	58288	56827	
			3P+N+E	58289	56828	
63A			2P+E		56846	
			3P+E		58734	
			3P+N+E		58735	
125A			3P+E		59146	
	3P+N+E			59147		
	480 to 500V~		16A	3P+E	57590	56809
3P+N+E		57591		56810		
32A		3P+E	58290	56829		
		3P+N+E	58291	56830		
63A		3P+E		56848		
		3P+N+E		56849		

Note : Some references of this complete range will be sold until out of stock.

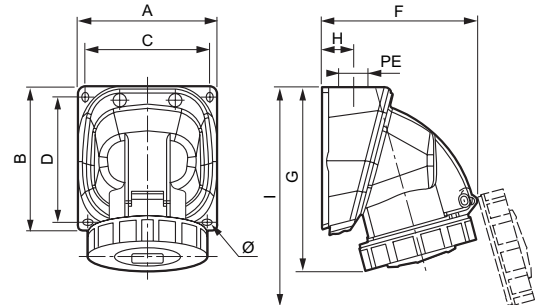
3. DIMENSIONS

Surface mounting sockets 16/32A IP44



	Weight (kg)	A	B	C	D	F	G	H	I	PE	Ø
TBT	0.167	84	84	73	72	101	103	19	134.5	M 25	4.3
BT 16 A											
2 P+±	0.185	84	84	73	72	103	103.5	20	134	M 20	4.3
3 P+±	0.244	100	100	88	87	115	120	24	156	M 20	4.3
3 P+N+±	0.269	100	100	88	87	118.5	121	24	162	M 20	4.3
BT 32 A											
2 P+±	0.356	110	110	98	97	135	162	30	174	M 25	5.3
3 P+±	0.397	110	110	98	97	137	162.5	30	178	M 25	5.3

Surface mounting sockets 16/32A IP66/67



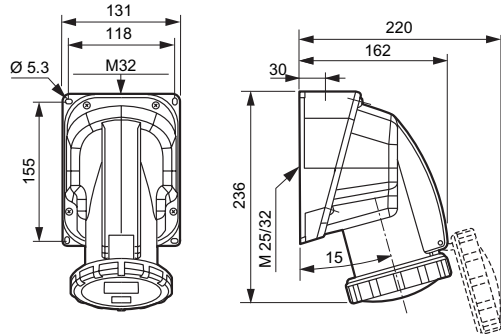
	Weight (kg)	A	B	C	D	F	G	H	I	PE	Ø
BT 16 A											
2 P+±	0.230	84	84	73	72	94	112	20	130	M 20	4.3
3 P+±	0.289	100	100	88	87	108	128	24	154	M 20	4.3
3 P+N+±	0.317	100	100	88	87	110	129	24	157	M 20	4.3
BT 32 A											
2 P+±	0.425	110	110	98	97	126	146	30	175	M 25	5.3
3 P+N+±	0.467	110	110	98	97	136	170.5	30	205	M 25	5.3

IP44 and 66/67 P17 plugs, mobile sockets, socket outlets and appliance inlets

Cat. No.(s) : 521 00/01/02/03/05 - 539 49 - 552 XX - 553 XX
 559 XX - 562 XX - 563 XX - 564 XX - 565 XX - 568 XX
 573 XX - 574 XX - 575 XX - 576 XX - 577 21/22
 580 XX - 581 XX 582 XX - 587 XX - 591 XX

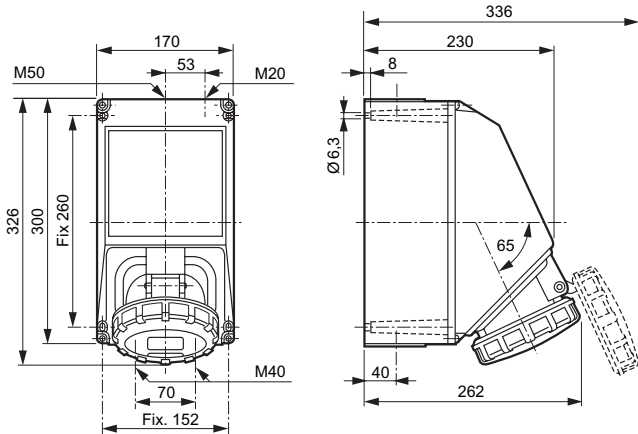
3. DIMENSIONS (continued)

Surface mounting sockets 63A IP66/67



	Weight (kg)
3 P+ ±	0.90
3 P+N+ ±	0.95

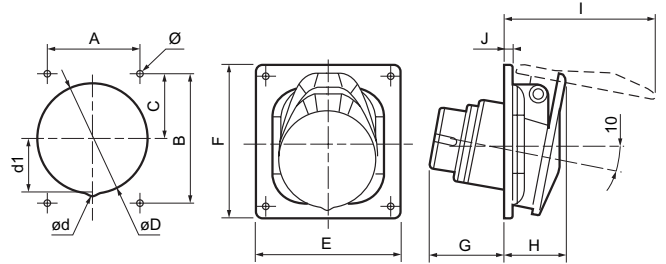
Surface mounting sockets 125A IP66/67



	Weight (kg)
3 P+ ±	2.6
3 P+N+ ±	2.73

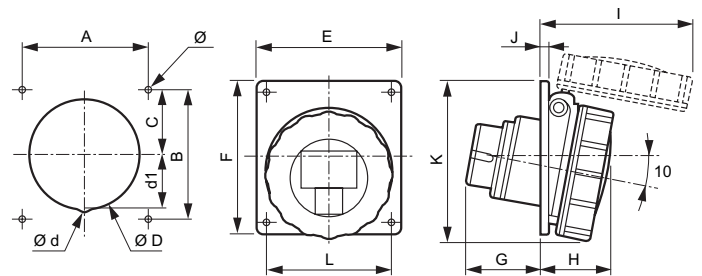
3. DIMENSIONS (continued)

Panel mounting-sockets (70 x 70) 16/32A IP44



	Weight (Kg)	A	B	C	ØD	Ød	d1	E	F	G	H	I	J	Ø
BTB	0.100	70	70	35	63	-	-	84	84	33	32.5	83	4.5	4.2
BT 16 A														
2P+ ±	0.110	70	70	35	76.2	-	-	84	84	42	33	83.5	4.5	4.2
3P+ ±	0.140	70	70	35	76.2	-	-	84	84	43	34.5	91.3	4.5	4.2
3P+N+ ±	0.165	70	70	35	76.2	-	-	84	84	43	36.5	100	4.5	4.2
BT 32 A														
2P+ ±	0.220	70	70	35	76.2	-	-	84	94	54	44	112	4.5	4.2
3P+ ±														
3P+N+ ±	0.255	70	70	35	76.2	8	36	84	94	54	45	120	4.5	4.2

Panel-mounting sockets (70 x 70) 16/32A IP66/67



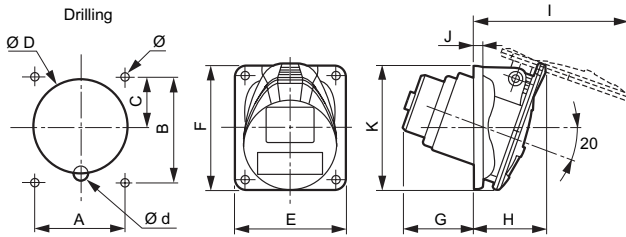
	Weight (Kg)	A	B	C	ØD	Ød	d1	E	F	G	H	I	J	K	L	Ø
BT 16 A																
2P+ ±	0.140	70	70	35	76.2	-	-	84	84	42	39	83	4.5	90	72.5	4.2
3P+ ±	0.165	70	70	35	76.2	-	-	84	84	43	41	98	4.5	93	81	4.2
3P+N+ ±	0.195	70	70	35	76.2	-	-	84	84	43	41	99	4.5	91	86.5	4.2
BT 32 A																
2P+ ±	0.240	70	70	35	76.2	-	-	84	94	54	50	113	4.5	101	94.5	4.2
3P+ ±																
3P+N+ ±	0.270	70	70	35	76.2	8	36	84	94	54	51	120	4.5	103	101	4.2

IP44 and 66/67 P17 plugs, mobile sockets, socket outlets and appliance inlets

Cat. No.(s) : 521 00/01/02/03/05 - 539 49 - 552 XX - 553 XX
 559 XX - 562 XX - 563 XX - 564 XX - 565 XX - 568 XX
 573 XX - 574 XX - 575 XX - 576 XX - 577 21/22
 580 XX - 581 XX 582 XX - 587 XX - 591 XX

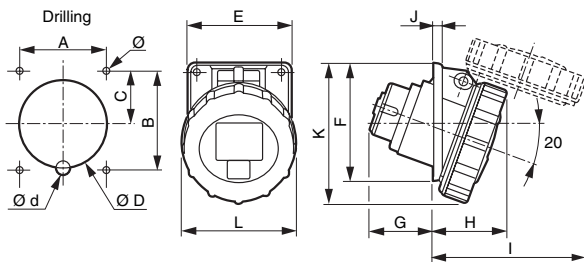
3. DIMENSIONS (continued)

Panel-mounting sockets (inclined outlet) 16A IP44



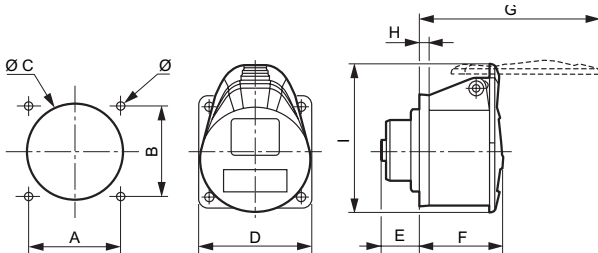
	Weight (kg)	A	B	C	Ø D	Ø d	E	F	G	H	I	J	K	Ø
BT 16 A														
2 P+±	0.110	52	60	28	55	14 to 14.5	64	72	41	40.5	86.2	5.5	74	4.2
3 P+±	0.140	60	70	31	63.5	14 to 14.5	74	84	44	41	91.6	5.5	84.1	5.2
3 P+N+±	0.165	60	70	33	70.6	0	80	84	44	45.4	105	5.5	88.5	5.2

Panel-mounting sockets (inclined outlet) 16A IP66/67



	Weight (kg)	A	B	C	Ø D	Ø d	E	F	G	H	I	J	K	L	Ø
BT 16 A															
2 P+±	0.140	52	60	33	55	0	64	72	40	45	92	5.5	87	72.5	4.2
3 P+±	0.165	60	70	39	63.5	0	74	84	41	48	106	5.5	96	81	5.2
3 P+N+±	0.195	60	70	37	70.6	0	80	84	42	50	110	5.5	96	86.5	5.2

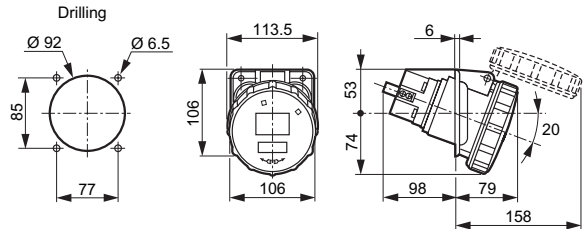
Panel-mounting sockets 16/32A IP44 (straight)



	Weight (kg)	A	B	Ø C	D	E	F	G	H	I	Ø
TBT	0.100	42	42	42	55	23.1	37.2	84.4	4	75.8	4.2
BT 16 A											
2 P+±	0.105	47	47	47	58	22.4	50	98.5	5.5	78.5	5.5
3 P+±	0.127	52	52	55	65	22.4	50.5	104	5.5	85.6	5.5
3 P+N+±	0.148	52	52	55	70	22.4	51	113	5.5	93.5	5.5
BT 32 A											
2 P+±	0.197	60	60	57.1	75	31.4	61.3	127	5.5	97.5	5.5
3 P+±	0.197	60	60	57.1	75	31.4	61.3	127	5.5	97.5	5.5
3 P+N+±	0.246	60	60	63.5	77	31.4	61.7	134	5.5	104.5	5.5

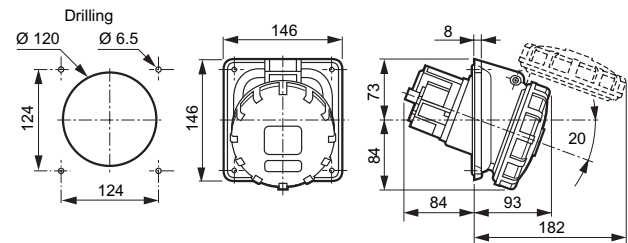
3. DIMENSIONS (continued)

Panel-mounting sockets 63A IP66/67



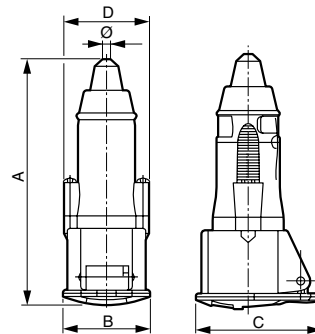
	Weight (kg)
3 P+±	0.71
3 P+N+±	0.77

Panel-mounting sockets 125A IP66/67



	Weight (kg)
3 P+±	1
3 P+N+±	1.2

Mobile sockets 16/32A IP44



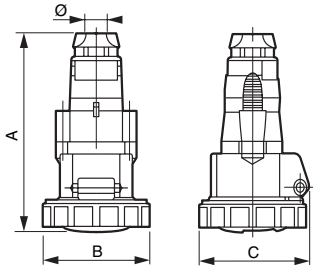
	Weight (kg)	A	B	C	D	Ø
TBT	0.160	154.5	56.3	75.9	-	11.5 to 22
BT 16 A						
2 P+±	0.150	155	55	78.5	55	8 to 15.5
3 P+±	0.179	162	61.5	85	60	8 to 15.5
3 P+N+±	0.212	170	69	93.5	66	8 to 15.5
BT 32 A						
2 P+±	0.240	189	69	97.5	70.5	11.5 to 22
3 P+±	0.265	191	71	97.5	70.5	11.5 to 22
3 P+N+±	0.305	197	77	124	77	11.5 to 22

IP44 and 66/67 P17 plugs, mobile sockets, socket outlets and appliance inlets

Cat. No.(s) : 521 00/01/02/03/05 - 539 49 - 552 XX - 553 XX
 559 XX - 562 XX - 563 XX - 564 XX - 565 XX - 568 XX
 573 XX - 574 XX - 575 XX - 576 XX - 577 21/22
 580 XX - 581 XX 582 XX - 587 XX - 591 XX

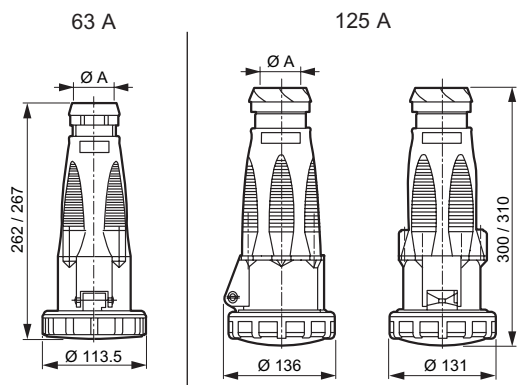
3. DIMENSIONS (continued)

Mobile sockets 16/32A IP66/67



	Weight (kg)	A	B	C	Ø
BT 16 A					
2 P+ ±	0.180	139	72.5	78.5	8 to 14
3 P+ ±	0.215	144	81	89.5	8 to 14
3 P+N+ ±	0.275	160	86.5	92	10 to 17.5
BT 32 A					
2 P+ ±	0.320	171	94.5	103	10 to 17.5
3 P+ ±	0.320	171	94.5	103	12 to 21.5
3 P+N+ ±	0.387	177	101	109	12 to 21.5

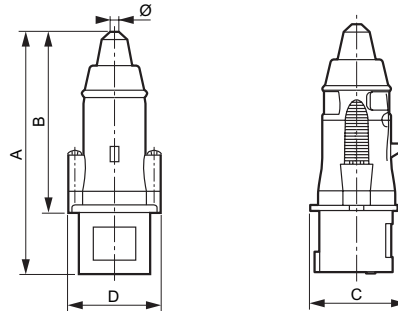
Mobile sockets 63/125A IP66/67



	63 A		125 A	
	Ø	Weight	Ø	Weight
3 P+ ±	19.3 to 28.5	0.78	26 to 43	1.4
3 P+N+ ±	21.3 to 31.3	0.85	28.5 to 50	1.53

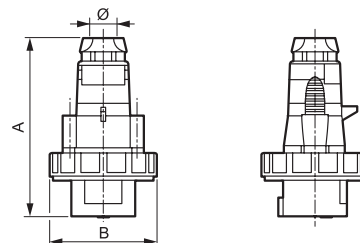
3. DIMENSIONS (continued)

Straight plugs 16/32A IP44



	Weight (kg)	A	B	C	D	Ø
TBT	0.132	151	-	54.7	56.3	11.5 to 22
BT 16 A						
2 P+ ±	0.122	147	111	57	55	8 to 15.5
3 P+ ±	0.150	154	118	65	60	8 to 15.5
3 P+N+ ±	0.177	164	128	73	66	8 to 15.5
BT 32 A						
2 P+ ±	0.217	179	134	78	70.5	11.5 to 22
3 P+ ±	0.234	179	134	78	70.5	11.5 to 22
3 P+N+ ±	0.276	189	144	86	77	11.5 to 22

Straight plugs 16/32A IP66/67



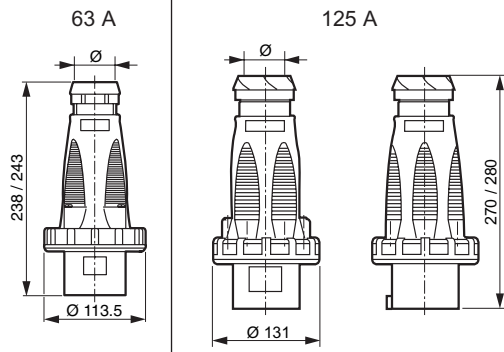
	Weight (kg)	A	B	Ø
BT 16 A				
2P+E	0.165	122	72.5	8 to 14
3P+E	0.175	126	81	8 to 14
3P+N+E	0.218	142	86.5	10 to 17.5
BT 32 A				
2P+E	0.255	152	94.5	10 to 17.5
3P+E	0.276	152	94.5	12 to 21.5
3P+N+E	0.325	158	101	12 to 21.5

IP44 and 66/67 P17 plugs, mobile sockets, socket outlets and appliance inlets

Cat. No.(s) : 521 00/01/02/03/05 - 539 49 - 552 XX - 553 XX
 559 XX - 562 XX - 563 XX - 564 XX - 565 XX - 568 XX
 573 XX - 574 XX - 575 XX - 576 XX - 577 21/22
 580 XX - 581 XX 582 XX - 587 XX - 591 XX

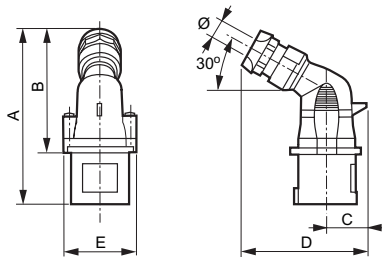
3. DIMENSIONS (continued)

Straight plugs 63/125A IP66/67



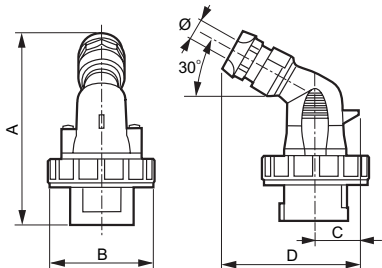
	63 A		125 A	
	Ø	Weight	Ø	Weight
3 P+±	19.3 to 28.5	0.57	26 to 43	1.1
3 P+N+±	21.3 to 31.3	0.64	28.5 to 50	1.22

Angled plugs 16/32A IP44



	Weight (kg)	A	B	C	D	E	Ø
BT 16 A							
2 P+±	0.120	129	93	29.5	90	55	8 to 14
3 P+±	0.145	133	97	33.5	95	60	8 to 14
3 P+N+±	0.170	142	106	37.5	104	66	10 to 17.5
BT 32 A							
2 P+±	0.225	153	108	39.5	107	70.5	10 to 17.5
3 P+±	0.225	153	108	39.5	107	70.5	12 to 21.5
3 P+N+±	0.265	159	114	44.5	113	77	12 to 21.5

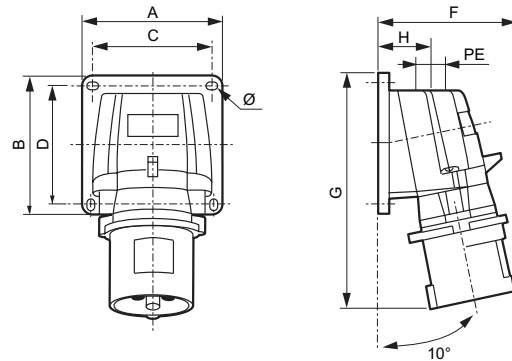
Angled plugs 16/32A IP66/67



	Weight (kg)	A	B	C	D	Ø
BT 16 A						
2 P+±	0.140	130	72.5	29.5	90	8 to 14
3 P+±	0.170	133	81	33.5	95	8 to 14
3 P+N+±	0.195	142	86.5	37.5	104	10 to 17.5
BT 32 A						
2 P+±	0.255	153	94.5	39.5	107	10 to 17.5
3 P+±	0.255	153	94.5	39.5	107	12 to 21.5
3 P+N+±	0.300	159	101	44.5	113	12 to 21.5

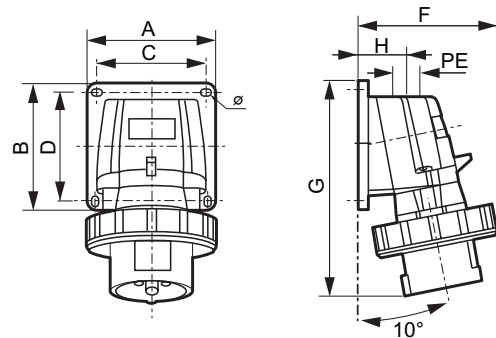
3. DIMENSIONS (continued)

Appliance inlets 16/32A IP44



	Weight (kg)	A	B	C	D	F	G	H	PE	Ø
TBT	0.126	84	84	72	72	70	117.5	34	M25	4.3
BT 16 A										
2 P+±	0.168	84	84	72	72	77	126	34	M20	4.3
3 P+±	0.232	84	84	72	72	84	134	34	M20	4.3
3 P+N+±	0.256	84	84	72	72	91	141	34	M20	4.3
BT 32 A										
2 P+±	0.325	110	110	98	98	96	168	39	M25	5.3
3 P+±	0.364	110	110	98	98	102	168	39	M25	5.3

Appliance inlets 16/32A IP66/67



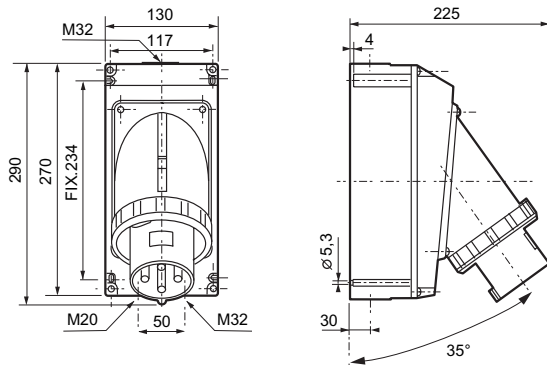
	Weight (kg)	A/B	C/D	F	G	H	PE	Ø
BT 16 A								
2 P+ T	0.188	84	72	87	126	34	M 20	4.3
3 P+ T	0.257	84	72	95	134	34	M 20	4.3
3 P+N+ T	0.297	84	72	100	141	34	M 20	4.3
BT 32 A								
2 P+ T	0.370	110	98	107	168	39	M 25	5.3
3 P+ T	0.413	110	98	113	168	39	M 25	5.3

IP44 and 66/67 P17 plugs, mobile sockets, socket outlets and appliance inlets

Cat. No.(s) : 521 00/01/02/03/05 - 539 49 - 552 XX - 553 XX
 559 XX - 562 XX - 563 XX - 564 XX - 565 XX - 568 XX
 573 XX - 574 XX - 575 XX - 576 XX - 577 21/22
 580 XX - 581 XX 582 XX - 587 XX - 591 XX

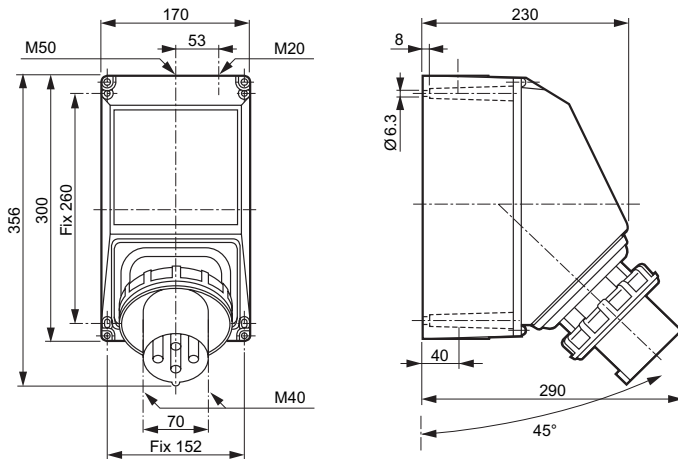
3. DIMENSIONS (continued)

Appliance inlets 63A IP66/67



	Weight (kg)
3 P+ ±	1.54
3 P+N+ ±	1.61

Appliance inlets 125A IP66/67



	Weight (kg)
3 P+ ±	2.4
3 P+N+ ±	2.5

4. TECHNICAL CHARACTERISTICS

4.1 Glow wire resistance

- 850°C for the supports of active parts
- 650°C for the rest

4.2 Dielectric strength

3000 V 50 Hz

4.3 Use temperature

min. - 25°C / max. + 40°C

4.4 UV resistance

No change of colour or material following the rest :

Dose rate : 550 W/m²

Test duration : 168 hours

Infrared and ultraviolet filter in order to get as close to the solar spectrum as possible.

4.5 Ageing test

No penetration of dust or water in the IP66/67 products after 7 days of ageing at + 80°C.

4.6 Material characteristics

Aqueous solutions

Cold water ++

Warm water -

Vapour -

Saltwater 5 % +

Hydrogen peroxide -

Water + detergent ++

Water + surfactants +

Formic aldehyde ++

Alcohols

Ethanol ++

Methyl alcohol -

Propanol +

Butyl alcohol +

Glycols

Ethylene glycol -

Carbolic acids --

Cresols -

Bases

Ammoniac +

Sodium hydroxide --

Sodium hypochlorite (bleach 12°) -

Potassium hydroxide +

Oxydizing strong acids

Concentrated acetic acid --

Nitric acid 5 % -

Sulfuric acid 10 % -

Muriatic acid 30 % -

Perchloric acid 70 % -

Hydrofluoric acid 70 % --

Chromic acid 50 % --

Phosphoric acid 30 % -

Weak acids

Diluted acetic acid < 25 % -

Citric acid +

Lactic acid -

Formic acid --

Uric acid ++

IP44 and 66/67 P17 plugs, mobile sockets, socket outlets and appliance inlets

Cat. No.(s) : 521 00/01/02/03/05 - 539 49 - 552 XX - 553 XX
 559 XX - 562 XX - 563 XX - 564 XX - 565 XX - 568 XX
 573 XX - 574 XX - 575 XX - 576 XX - 577 21/22
 580 XX - 581 XX 582 XX - 587 XX - 591 XX

4. MATERIAL (continued)

4.6 Material characteristics (continued)

Oils and lubricants - Animal origin

Lard	++
Butter, cream	++

Oils and lubricants - Vegetal origin

Linseed oil	++
Peanut / Olive	++
Castor oil	++
Glycerin	++

Oils and lubricants - Mineral origin

Paraffin	+
Engine oil	+
Silicone oil	+
Cutting oil	++
Hydraulic fluid	++

Hydrocarbons

Unlead petrol	+
Diesel oil	+
Kerosen	++
White spirit	+

Chlorinated solvents

Trichloroethylene	-
Trichloroethane	--
Perchloroethylene	-
Methyl chloride	--
Carbon tetrachloride	-
Chloroform	-

Aromatic solvents

Benzen	+
Toluene	+
Xylene	+

Aliphatic solvents

Hexane	+
Heptane	+

Fluoride solvents

Trichlorofluoridmethan	--
------------------------------	----

Ketones

Acetone	+
Methyl Etyl Ketone	+
Ethyl acetate	+

Turpens

Turpentine	+
------------------	---

Resistance to chemical agents at ambient temperature according to risks of exposure with spraying.

- ++ excellent resistance (continue exposure)
- + good resistance (durable exposure)
- limited resistance (possible short exposure)
- light resistance (exposure to avoid)

5. CONNECTION

5.1 Connection capacity

Type	Current	Conductor's size (mm \leq)	Conductor's type
Surface mounting sockets and Panel mounting sockets	ELV 16/32 A	4 to 10	Rigid
	16 A	1.5 to 4	Rigid
	32 A	2.5 to 10	Rigid
	63 A	6 to 25	Rigid
	125 A	25 to 70	Rigid
Appliance inlets	ELV 16/32 A	4 to 10	Rigid
	16 A	1 to 2.5	Rigid
	32 A	2.5 to 6	Rigid
	63 A	6 to 16	Rigid
	125 A	16 to 50	Rigid
Plugs and Mobile sockets	ELV 16/32 A	4 to 10	Flexible
	16 A	1 to 2.5	Flexible
	32 A	2.5 to 6	Flexible
	63 A	6 to 16	Flexible
	125 A	16 to 50	Flexible

Connection capacity of the pilot wire

	63/125 A	Cable
Panel/surface mounting sockets	2.5 to 10	Rigid
Appliance inlets	2.5 to 6	Rigid
Plugs and mobile sockets	2.5 to 6	Flexible

5.2 Tightening torque of the connection screws

- 16/32A ELV : from 1 to 1.2 Nm
- 16A LV : from 0.7 to 1 Nm
- 32A LV : from 0.7 to 1 Nm
- 63A LV : from 2 to 2.2 Nm for Phase Earth
from 0.7 to 1 Nm for Pilot
- 125A LV : from 3 to 4 Nm for Phase Earth
from 0.7 to 1 Nm for Pilot

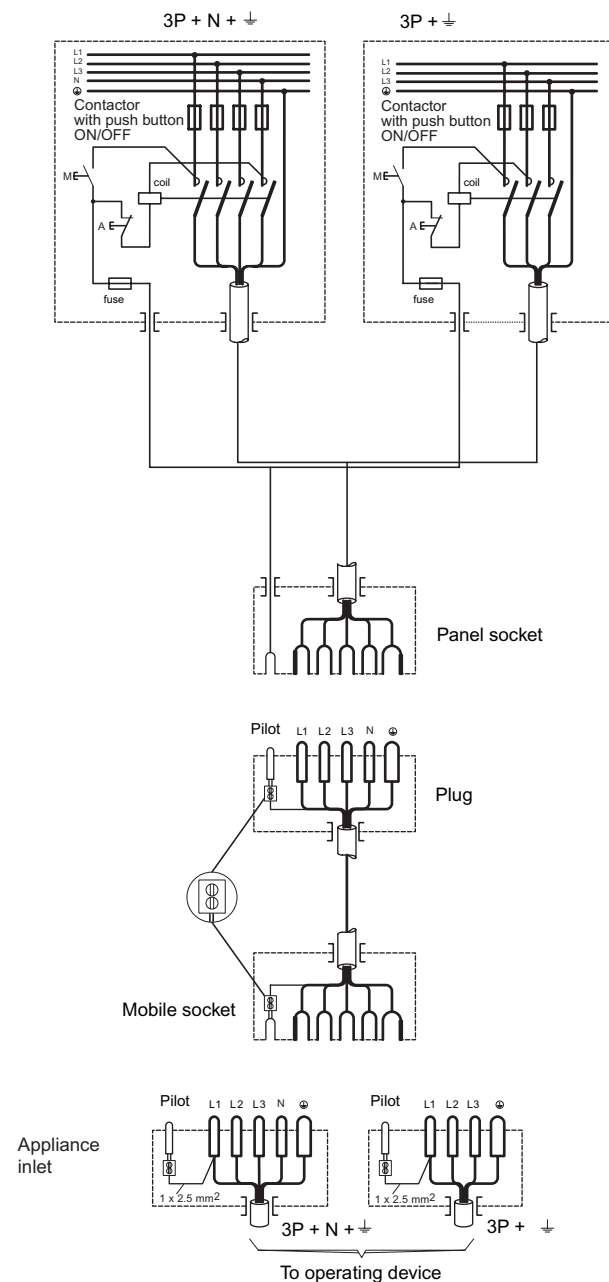
IP44 and 66/67 P17 plugs, mobile sockets, socket outlets and appliance inlets

Cat. No.(s) : 521 00/01/02/03/05 - 539 49 - 552 XX - 553 XX
 559 XX - 562 XX - 563 XX - 564 XX - 565 XX - 568 XX
 573 XX - 574 XX - 575 XX - 576 XX - 577 21/22
 580 XX - 581 XX 582 XX - 587 XX - 591 XX

6. WIRING DIAGRAM (example)

Breaking via guide wire :

The guide wire is a control conductor used with the power conductor. If it is interrupted, it causes the breaking of the power circuit via a contactor. This arrangement provides an electrical solution to the requirement for breaking circuits greater than 32A (decree dated 14/11/88). An additional (shorter) pin is therefore added to the various models of sockets to perform this "guide wire" function. The "guide wire" solution nonetheless remains restricting in terms of both its implementation (requirement for special cables) and its cost (power contactor).



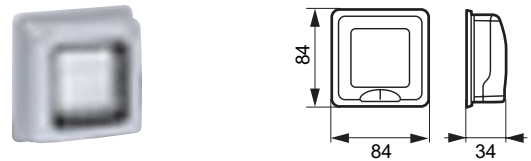
7. STANDARDS AND DECREE

- IEC 60309-1 and NF EN 60309-1 (design rules)
- IEC 60309-2 and NF EN 60309-2 (dimension rules)
- IEC 60529 and NF EN 60529 (IP)
- IEC 62262 and NF EN 62262 (IK)
- Decree of 14/11/88 (workers safety)
- Directive 2002/95/CE (ROHS)

8. ACCESSORIES

P55 adaptor for MOSAIC 2 modules (except special projection).

Cat. No. : 539 48



Adaptator IEC / domestique pin configuration (NFC).

Example



Enable to connect a plug 16A 250V NFC with an outlet 16A 2P + T 200/250V IEC

- 521 00 : NFC
- 521 01 : British
- 521 02 : German
- 521 03 : NFC (with cap)
- 521 05 : empty for MOSAIC 2 modules.

Flush mounting boxes for masonry IP55

Enable the fitting of panel mounting socket(s) with single fixing centres (70 x 70) and or NFC sockets (576 71, 576 72).

577 21 for 2 x 16A sockets



577 22 for 1 x 16 or 32A sockets



The 32A sockets has to be fixed horizontally (see instruction of installation).