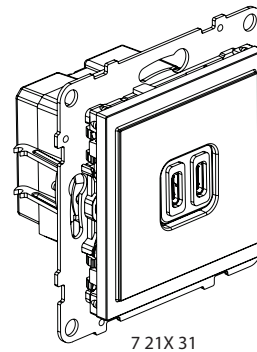
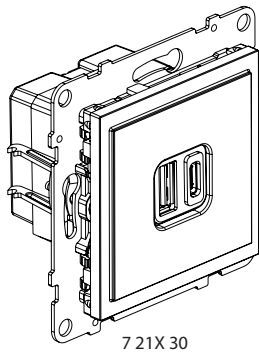


Suno™
Double USB sockets
Type-A+C & Type-C+C - 3.0 A

Cat. No(s): 7 21X 30/31



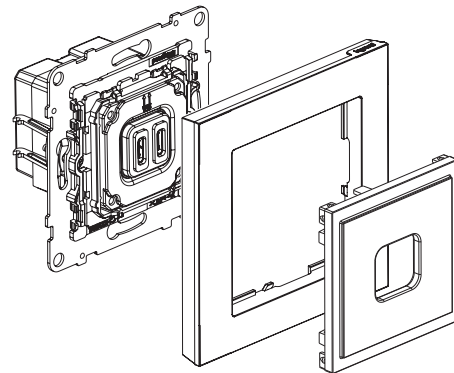
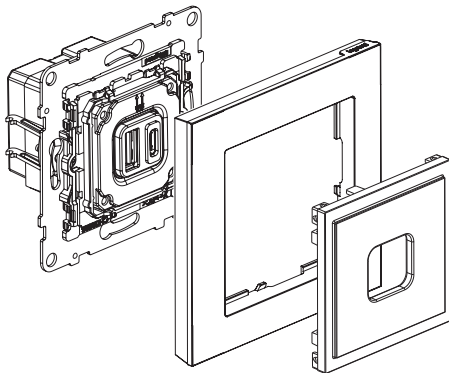
1. USE

For recharging portable devices such as phones, smartphones, tablets, MP3, MP4, loudspeakers, watches, game consoles, powerbanks.
 Fixing with screw and/or claw.

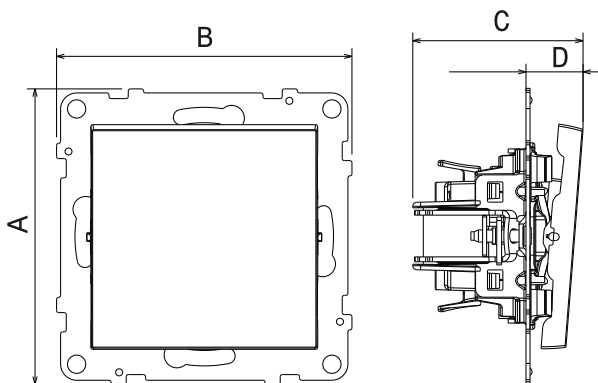
2. RANGE

| Description | White | Ivory | Aluminum | Black |
|----------------|----------|----------|----------|----------|
| 2XUSB TYPE A+C | 7 211 30 | 7 212 30 | 7 213 30 | 7 214 30 |
| 2XUSB TYPE C+C | 7 211 31 | 7 212 31 | 7 213 31 | 7 214 31 |

3. DISMANTLING



4. DIMENSIONS (mm)



| References | A | B | C | D |
|-------------|------|------|------|----|
| 7 21X 30/31 | 72,9 | 72,9 | 41,8 | 11 |

5. CONNECTION

Flexible or rigid cables compatible.

Type of terminals:
 Screw terminal

Terminal capacity:
 2 X 2.5mm²

Stripping length:
 6mm

Usb socket:
 Prewired socket

6. TECHNICAL CHARACTERISTICS

■ 6.1 Mechanical characteristics

Protection against solid bodies and liquids: IP40
 Protection against impact: IK04

■ 6.2 Material characteristics

Polygloss appearance

Colour: - White RAL 9003
 - Ivory RAL 1013
 - Aluminum RAL 9023
 - Black RAL 9017

Material: - Base: PC
 - Socket covers: Polycarbonate
 - Halogen-free
 - UV resistant

Self-extinguishing:

850°C/30 s for installing components holding live parts in place
 650°C/30 s for other insulating components

■ 6.3 Electrical characteristics

All values listed below are measured at an ambient temperature +20°C and after 30 minutes of operation.

| | |
|---|------------------|
| Nominal input voltage | 100-240 V~ |
| Nominal input frequency | 50/60 Hz |
| Nominal output voltage | 5.0 V |
| Nominal input current | 0.3 A |
| Maximum output current Type-C | 3.0 A |
| Power consumption | 15.0 W |
| Average efficiency in active mode | 80.3% |
| Stand-by power consumption | < 0.07 W |
| Consumption class without load and average level of efficiency: Level VI* | |
| Protection class | II - Low voltage |

***Note:** European Regulation No. 278/2009 of 6 April 2009, Directive 2009/125/EC on eco-design requirements for AC/DC power supplies.

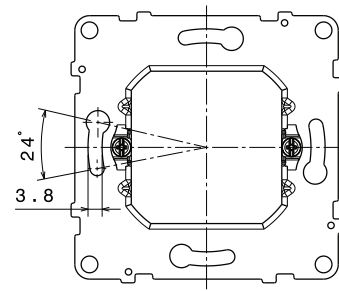
Note: To optimize the charging time of your device, ensure turn it off during the charging phase.

■ 6.4 Climate characteristics

Usage temperature: 0°C to +45°C
 Storage temperature: -20°C to +70°C

■ 6.5 Support

Material of support: -Metal
 Angular adjusting:



7. MAINTENANCE

Surface cleaning with a cloth.

Do not use:
 Acetone, tar remover, trichloroethylene.

Maintenance with the following products:
 Hexane (EN 60669-1), Methylated spirit, Soapy water, Diluted ammonia, Bleach diluted to 10%, Window-cleaning products.

Caution: Always test before using other special cleaning products.

7. STANDARDS AND APPROVALS

Compliant with installation and manufacturing standards.
 Refer to e. catalogue.