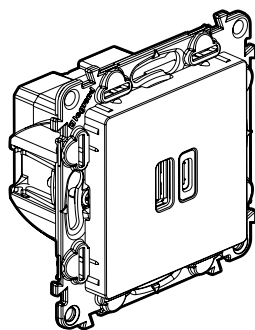
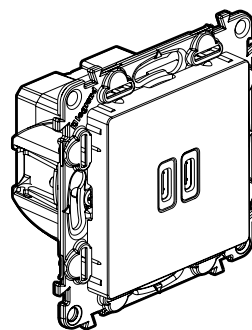


Valena™ Life
USB Type-A + USB Type-C charger
USB Type-C charger

**Cat. No(s): 7 531 06/07 - 7 532 06/07 - 7 533 06/07
 7 563 06/07**



7 531 06



7 531 07

1. USE

For recharging portable devices such as phones, smartphones, tablets, MP3 or MP4 players, loudspeakers, watches, game consoles, powerbanks.

2. RANGE

USB chargers 5 V⁻ / 3.0 A

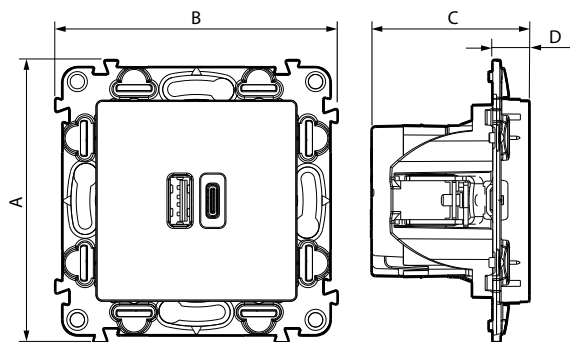
1 USB Type-A + 1 USB Type-C (1 output Type-A - 1 output Type-C)

White	Ivory	Aluminium	Black
7 531 06	7 532 06	7 533 06	7 563 06

2 USB Type-C (2 output Type-C)

White	Ivory	Aluminium	Black
7 531 07	7 532 07	7 533 07	7 563 07

3. DIMENSIONS (mm)



A	B	C	D
75	75	42.5	10

4. CONNECTION

Type of terminals: with screws
 Terminal capacity: 2 x 2.5 mm²
 Stripping length: 6 mm
 Screwdriver: flat 3.5 mm

5. TECHNICAL CHARACTERISTICS

■ **5.1 Mechanical characteristics**

Impact tests: IK 04
 Protection against solid bodies and liquids: IP 40

■ **5.2 Material characteristics**

Base: PC
 Cover-plate: ABS
 Support: PC

Self-extinguishing:

850°C/30 s for insulating components holding live parts in place.
 650°C/30 s for other insulating components.

■ **5.3 Climate characteristics**

Storage temperature: - 20°C to + 70°C
 Operating temperature: 0°C to + 45°C

■ **5.4 Electrical characteristics**

All values listed below are measured at an ambient temperature of + 20° and after 30 minutes of operation.

Nominal input voltage	100-240 V~
Nominal input frequency	50/60 Hz
Nominal output voltage	5.0 V ⁻
Nominal input current	0.3 A
Maximum output current Type-A + Type-C	3.0 A shared on A and C output
Maximum output current Type-C	3.0 A
Power consumption	15.0 W
Average efficiency in active mode	80.3 %
Stand-by power consumption	< 0.07 W
Consumption class without load and average level of efficiency: Level VI*	
Protection class	II - Low voltage

***Nota:** European Regulation No. 278/2009 of 6 April 2009, Directive 2005/125/EC on eco-design requirements for AC/DC power supplies.

Note : To optimize the charging time of your device, ensure turn it off during the charging phase.

6. CLEANING

Surface cleaning with a cloth.

Do not use: acetone, tar remover, trichlorethylene.

Caution: Always test before using other special cleaning products

7. STANDARDS AND APPROVALS

Compliant with installation and manufacturing standards.

Refer to e-catalogue.