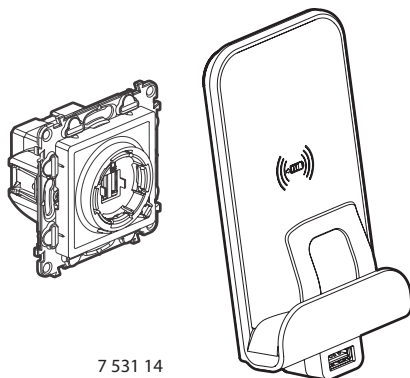
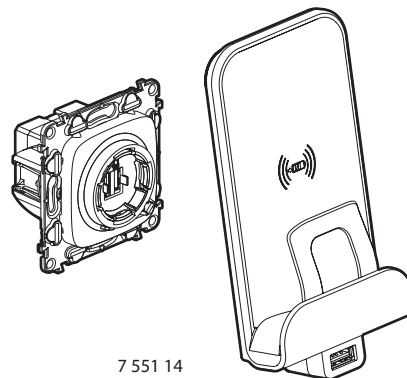


## Valena™ Life - Valena™ Allure 1000 mA wireless charger & 2400 mA USB

Cat. No(s): 7 531 14 - 7 551 14



7 531 14



7 551 14

### 1. USE

Provides a partial or complete charge for a smartphone with an induction charger.

Suitable for attachment to the head of your bed, a sideboard or at your workspace.

Clips and locks on to a USB 2400 mA and 2 P+E USB 2400 mA Legrand combined charger.

No interference with other wireless signals (Zigbee, TNT, GSM, 4G etc.). Can be mounted in horizontal multigang format.

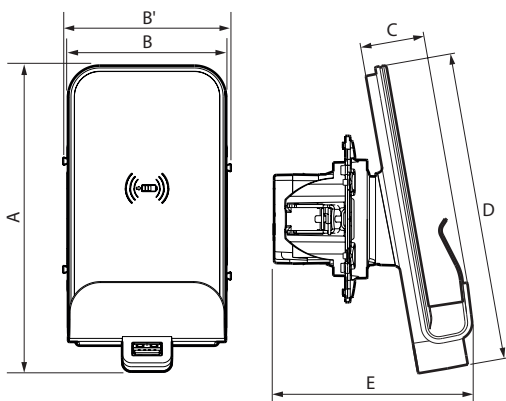
Fixed in place by clipping on to mechanism.

Rotating ring and locking screw on mechanism.

### 2. RANGE

Description	Cat. No
1000 mA universal wireless charger with USB port. 2400 mA to power a second device. Comes with 2 induction antennae for rapid pairing with a smartphone.	7 531 14 Valena Life
Contact surface 50 x 80 mm. Plate at an angle of 10° with non-slip coating. Suitable for White, Titanium and Anthracite finishes.	7 551 14 Valena Allure

### 3. DIMENSIONS (mm)



A	B	B'	C	D	E
136	70	75	28.5	136.5	88

### 4. CONNECTION

Type of terminals: with screws

Terminal capacity: 2 x 2.5 mm<sup>2</sup>

Stripping length: 6 mm

Screwdriver: plat 3.5 mm

### 5. TECHNICAL CHARACTERISTICS

#### ■ 5.1 Mechanical characteristics

Impact resistance: IK 04

Resistance to ingress of solid bodies and liquids: IP 40

#### ■ 5.2 Material characteristics

PC (Aluminium)

Rubber (Black)

Halogen free

UV resistant

Self-extinguishing:

+ 850° C / 30 s for insulating parts holding live parts in place.

+ 650° C / 30 s for other parts made of insulating materials.

#### ■ 5.3 Electrical characteristics

All values listed below are measured at an ambient temperature of + 25° and after 15 minutes of operation.

	Induction 1000 mA	USB 2400 mA
Nominal input voltage	110 - 240 V~	220 - 240 V~
Nominal input frequency	50-60 Hz	50-60 Hz
Maximum input current	150 mA	300 mA
Standby consumption without a terminal	< 0.1 W	< 0.06 W
Energy efficiency	> 85 %	81 %
Nominal output voltage	5 V~	5 V~
Maximum output current	1000 mA	2400 mA
No-load consumption and average energy efficiency: Level VI*		
Protection class	II - Low voltage	II - Low voltage

\*NB: European Regulation No. 278/2009 of 6 April 2009, Directive 2005/32/EC on eco-design requirements for AC/DC power supplies.

## 5. TECHNICAL CHARACTERISTICS *(continued)*

### ■ 5.4 Average charge time for a smartphone with an induction receiver

- 80 % charged < 2 hrs
- 100 % charged < 2 hrs 45 mins

### ■ 5.5 Climatic characteristics

Storage temperature: - 20° C to + 70° C

Use temperature: 0° C to + 45° C

## 6. STANDARDS AND APPROVALS

### 1000 mA induction charger:



WPC Qi (World Power Consumption)

EN 62479 (EMF emissions)

ICNIRP (health protection)

### USB 2400 mA:

IEC 60950-1: low voltage directive.

IEC 62684 / EN 50558 conform to the interoperability specifications of common external power supply (EPS) for use with mobile telephones.

Conform to eco design directive 2009/125/EC.