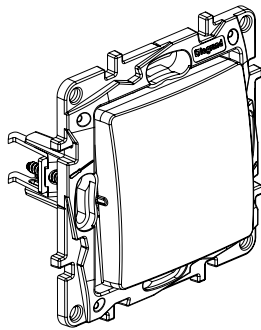
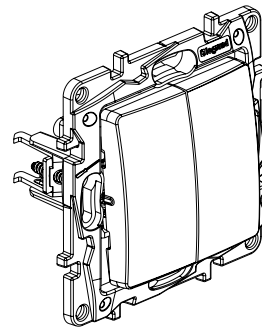


**Niloé™ sélection**  
**Lighting controls 10 AX**

Cat. No(s): 7 621 00/01/02/04/05 - 7 622 00/01/02/04/05  
 7 623 00/01/02/04/05 - 7 624 00/01/02/04/05



7 62X 00/01/04



7 62X 02/05

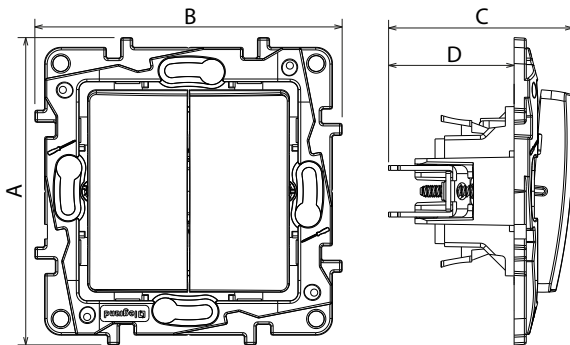
### 1. USE

Lighting controls mechanisms 10 AX - 250 V~.  
 Mechanisms supplied with protection cover.  
 To be equipped with plates one or several gangs.  
 Flush-mounting or surface-mounting.  
 Screw or claw fixing.

### 2. RANGE

| Description             | Aluminium | Anthracite | Smoked grey | Pearl    |
|-------------------------|-----------|------------|-------------|----------|
| One-gang one-way switch | 7 621 00  | 7 622 00   | 7 623 00    | 7 624 00 |
| Two-gang one-way switch | 7 621 05  | 7 622 05   | 7 623 05    | 7 624 05 |
| One-gang two-way switch | 7 621 01  | 7 622 01   | 7 623 01    | 7 624 01 |
| Two-gang two-way switch | 7 621 02  | 7 622 02   | 7 623 02    | 7 624 02 |
| Intermediate switch     | 7 621 04  | 7 622 04   | 7 623 04    | 7 624 04 |

### 3. DIMENSIONS (mm)



| A    | B    | C    | D  |
|------|------|------|----|
| 75.8 | 75.8 | 45.5 | 31 |

### 4. CONNECTION

Type of terminals: automatic  
 For Cat. no : 7 62X 04 : Screw terminals  
 Capacity: 2 x 2.5 mm<sup>2</sup>  
 Flexible or rigid cables compatible

| References        | Stripping length (mm) |
|-------------------|-----------------------|
| 7 62X 00/01/02/05 | 13                    |
| 7 62X 04          | 10                    |

### 5. TECHNICAL CHARACTERISTICS

#### ■ 5.1 Mechanical characteristics

Protection against solid bodies and liquids: IP 20  
 Protection against impact: IK 04

#### ■ 5.2 Material characteristics

Material : - Mechanism housing: PC  
 - Rocker plate: ABS  
 - Halogen free  
 - UV resistant  
 - Claws: steel

Material of the support: - PC

- Halogen free

For 7 62X 04:

- Polycarbonate grey RAL 7037 + 10 % glass fiber  
 - Halogen free

Self-extinguishing:

+ 850° C / 30 s for insulating parts holding live parts in place  
 + 650° C / 30 s for other parts made of insulating materials

#### ■ 5.3 Electrical characteristics

Voltage: 250 V~

Current: 10 AX

Frequency: 50/60 Hz

Maximum power on integrated ballast lamps: 100 W

#### ■ 5.4 Climatic characteristics

Storage and use temperature: - 5° C to + 35° C

### 6. MAINTENANCE

Surface cleaning with a cloth.

Do not use: acetone, tar remover, trichloroethylene.

Maintenance with the following products: Hexane (EN 60669-1), Methylated spirit, Soapy water, Diluted ammonia, Bleach diluted to 10%, Window-cleaning products.

**Caution:** A preliminary test should be carried out if other specific cleaning products are to be used.

### 7. STANDARDS AND APPROVALS

Compliance with standards of installation and manufacturing.  
 Refer to e. catalogue.