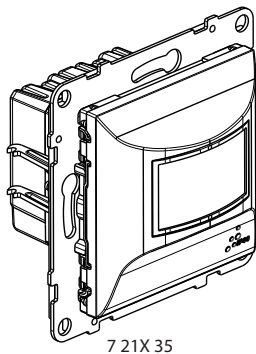
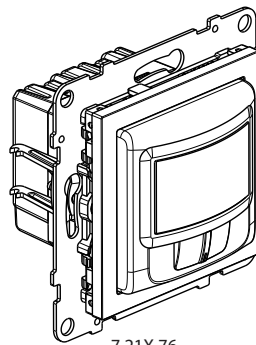


Suno™
Automatic switch

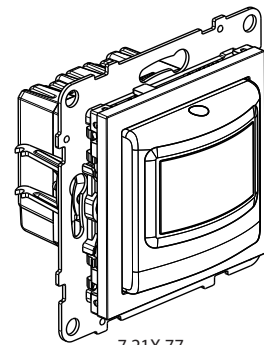
Cat. No(s): 7 21X 35/76/77



7 21X 35



7 21X 76



7 21X 77

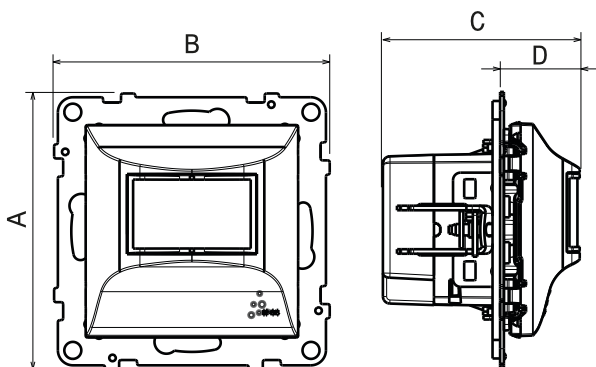
1. USE

Automatic switches without neutral, with infrared detection.
 Verifies the presence of natural light permanently, extinction when the natural light is insufficient.
 Installation in box depth 50 mm recommended (40 mm minimum).
 To be equipped with plate.
 Flush ou surface mounting.
 Screw or claw fixing.

2. RANGE

Description	White	Ivory	Aluminium	Black
IP44 Motion sensor 2 wires universal	7 211 35	7 212 35	7 213 35	7 214 35
Motion sensor 2 wires universal	7 211 76	7 212 76	7 213 76	7 214 76
Motion sensor 3 wires universal	7 211 77	7 212 77	7 213 77	7 214 77

3. DIMENSIONS (mm)

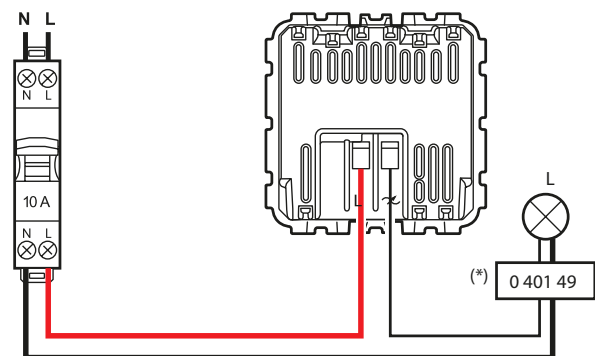


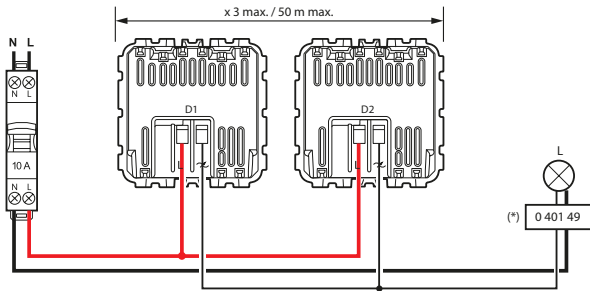
References	A	B	C	D
7 21X 35	72,9	72,9	52	21
7 21X 76	72,9	72,9	51,5	20,5
7 21X 77	72,9	72,9	51,3	20,3

4. CONNECTION

Number of terminals: 2
 Type of terminals: with screws
 Capacity: 2 x 2.5 mm²
 Stripping length: 8 mm
 Screwdriver: flat-blade 4 mm
 Flexible or rigid cables compatible

5. WIRING

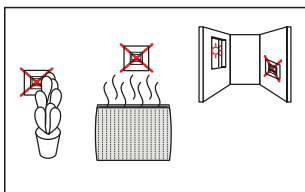
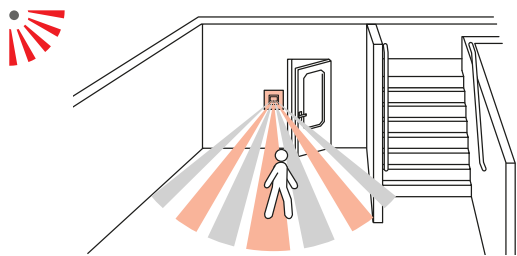
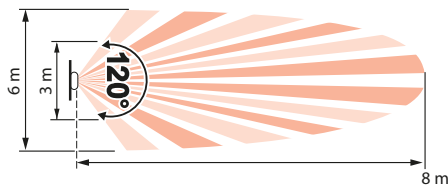
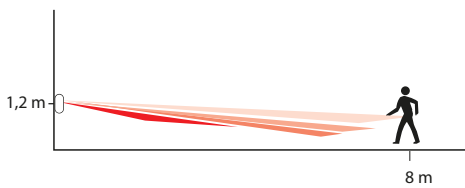




(*) For some electronic loads, the installation of a compensator Cat. No. 0 401 49 is required.

6. OPERATION

■ Detection



■ Operation with sensor

AUTO mode:

The lighting switches on automatically when presence is detected if there is insufficient natural light.

The lighting switches off automatically if no presence is detected at the end of the set time delay, or if there is insufficient natural light.

Any new detection triggers an automatic switch-on if there is insufficient light.

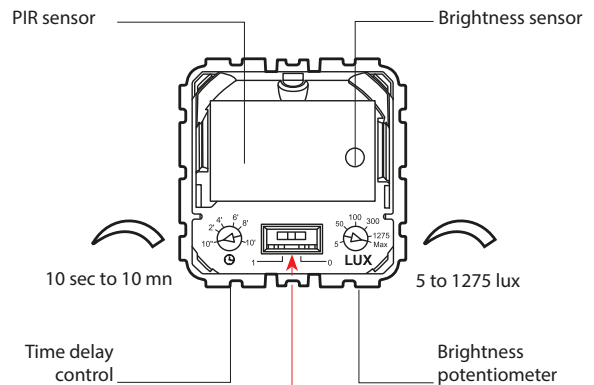
Manual ON mode:

The user must switch on the lighting manually and the load remains permanently on.

Manual OFF mode:

The user must switch off the lighting manually and the load remains permanently off, even if an auxiliary input pushbutton request is enabled.

■ Setting



1 Lighting forced ON
A AUTO ON/OFF
0 Forced OFF

■ Operation with two sensors in parallel

Factory-set light level (max. value)

Position of switch on sensor No. 1 (S1)	Position of switch on sensor No. 2 (S2)	Pass in front of sensor No. 1	Pass in front of sensor No. 2	Load status
ON	--	XX	XX	ON Permanent
--	ON	XX	XX	ON Permanent
AUTO	AUTO			OFF
AUTO	OFF			OFF
AUTO	AUTO	X		ON with time delay (value S1)
AUTO	OFF	X		ON with time delay (value S1)
AUTO	AUTO		X	ON with time delay (value S2)
AUTO	OFF		X	OFF
AUTO	AUTO	X	X	ON with time delay (max. value of S1 or S2)
AUTO	OFF	X	X	ON with time delay (value S1)
OFF	AUTO			OFF
OFF	AUTO	X		OFF
OFF	AUTO		X	ON with time delay (value S2)
OFF	AUTO	X	X	ON with time delay (value S2)
OFF	OFF	XX	XX	OFF Permanent

X One option: physical pass in front of the sensor

XX Two possible options: no pass or physical pass in front of the sensor

--- Identification of three possible options ON/AUTO/OFF

7. TECHNICAL CHARACTERISTICS

7.1 Mechanical characteristics

Protection against impact: IK 04

Protection against solid bodies and liquids:

IP 40 (mounted) - IP 20 (without rocker)

IP 44 for Cat. No. 7 21X 77

7.2 Material characteristics

Polygloss appearance

Colour molded:

- White RAL 9003

- Ivory RAL 1013

Matt colour painted:

- Aluminum RAL 9023

- Black RAL 9017

Material:

- cover plate: ABS
- Mechanism casing: PC
- Support: metal
- Claws: Steel

Halogen free

UV resistant

Self-extinguishing:

850°C/30 s for installing components holding live parts in place

650°C/30 s for other insulating components

7.3 Electrical characteristics

Voltage: 110 - 230 V~

Frequency: 50-60 Hz

Standby consumption: 0.035 W

Power:

7.4 Climate characteristics

Storage temperature: - 20° C to + 70° C

Operating temperature: - 5° C to + 35° C

8. CLEANING

Keep the lens clean.

Surface cleaning with a cloth.

Do not use: acetone, tar remover, trichlorethylene.

Maintenance with the following products: Hexane (EN 60669-1),

Methylated spirit, Soapy water, Diluted ammonia, Bleach diluted to

10%, Window cleaning products.

Caution: Always test before using other special cleaning products.

8. STANDARDS AND APPROVALS

Compliance with standards of installation and manufacturing.

Refer to e. catalogue.

	①	②	③	④	⑤	⑥	⑦
230 V~	Max. 250 W Min. 3 W	250 VA 3 VA	250 VA 3 VA	250 VA 3 VA	250 VA 3 VA	100 W 3 W	100 W 3 W
	1 A	1 A	1 A	1 A	1 A	0.4 A	0.4 A
110 V~							

1 - Halogen lamp

2 - ELV halogen lamp, fluocompact lamp with separate ferromagnetic ballast

3 - Fluorescent tube with integrated ferromagnetic ballast

4 - ELV halogen lamp, fluocompact lamp and fluorescent tube with separate electronic ballast

5 - LED technology lamp with separate electronic ballast

6 - Fluocompact lamp with integrated electronic ballast

7 - LED technology lamp with integrated electronic ballast

Important: Take account of transformer losses when calculating power. Transformers must be loaded at more than 60% of their power.

Note: Possibility to mix any type of load on the same circuit.