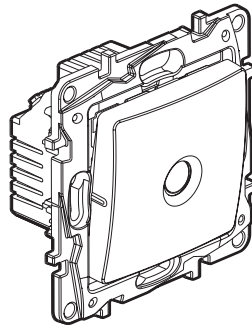


# Niloé™

## Energy saving switch

Cat. No(s): 6 647 03 - 6 648 03



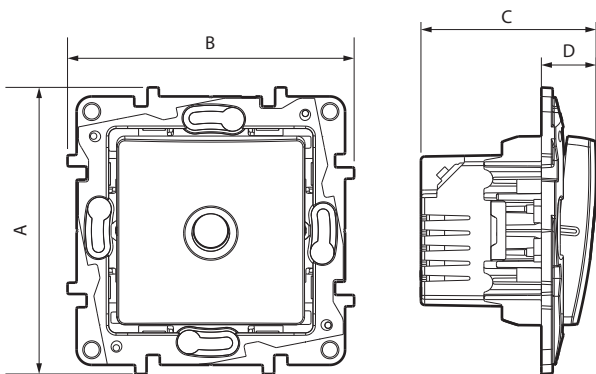
### 1. USE

This device works as a standard 2-way switch, but in addition, it switches off automatically the light after 10 minutes without movement detection. Particularly adapted to rooms where a light can stay switched on a long time when forgotten (basement, attic, laundry room, guest room) and rooms where user forgets regularly to switch off (child room...).

### 2. RANGE

Description	White	Lin
Energy saving switch To be equipped with a finishing plate	6 647 03	6 648 03

### 3. DIMENSIONS



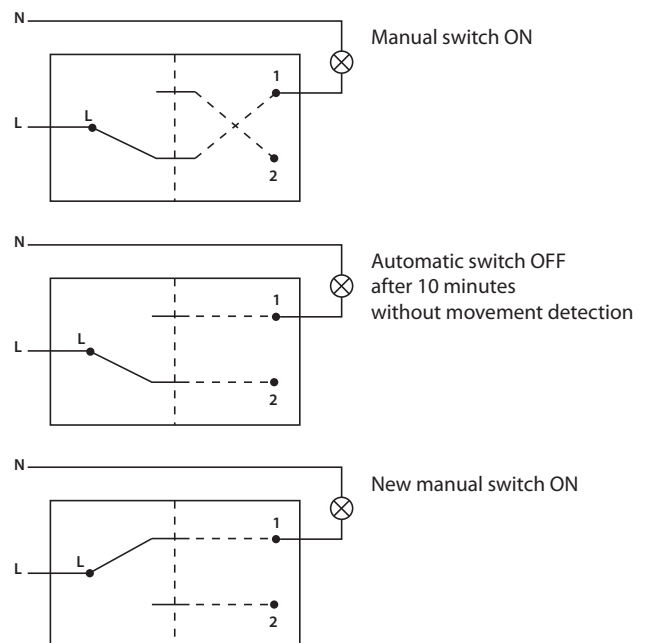
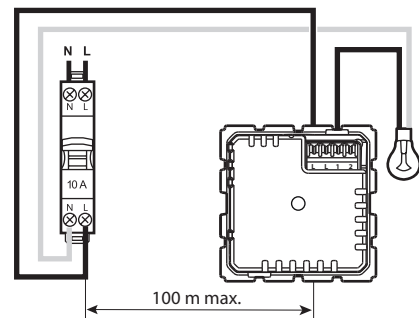
A	B	C	D
76	76	46.5	14.5

### 4. CONNECTION

Type of terminals: automatic  
 Terminal capacity: - L : 2 x 1.5 mm<sup>2</sup>  
 - L1 and L2 : 1 x 1.5 mm<sup>2</sup>  
 Stripping length: 8 mm

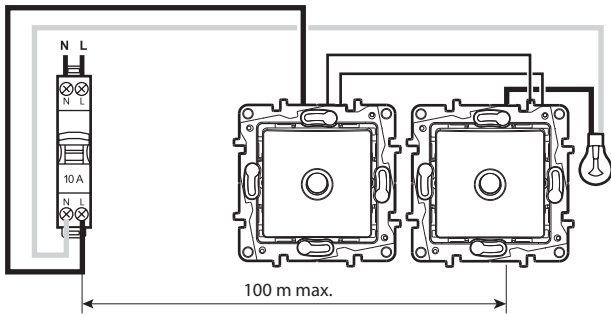
### 5. OPERATION

#### ■ 5.1 Energy saving switch used as a 1-way



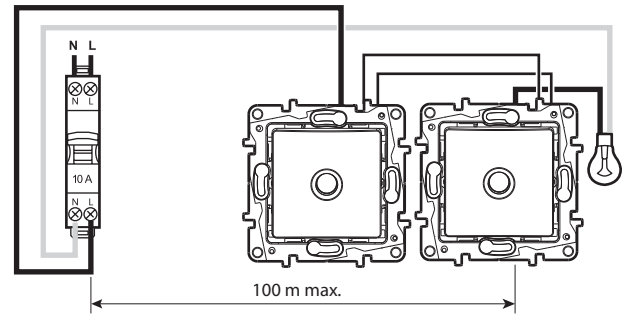
**5. OPERATION** (continued)

■ **5.2 Two-way switch + energy saving switch**



The IR sensor is activated when the light is switched on from one of the two switches.  
 The energy saving switch opens the circuit after 10 minutes with no movement detection.

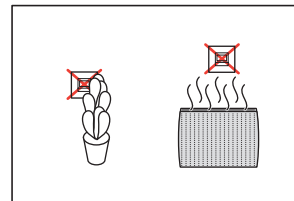
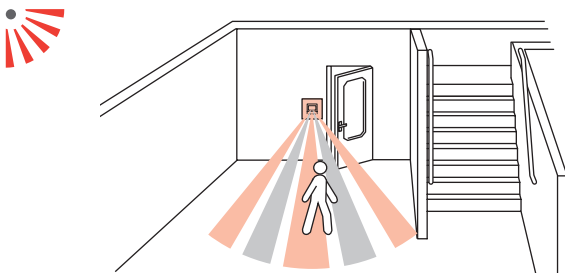
■ **5.3 Energy saving switch + energy saving switch**



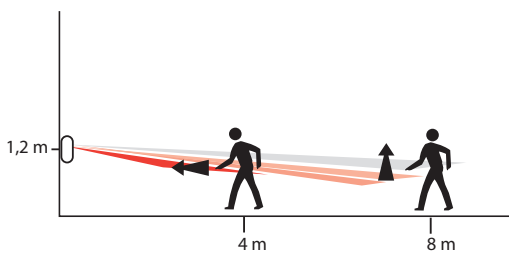
The IR sensor of the two switches are both activated when the light is switched on.  
 The light will switch off when one of the two switches stays 10 minutes with no movement detection.

**6. INSTALLATION**

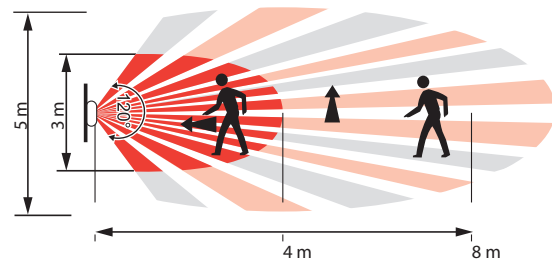
**Position**



**Height: 1.20 m**



**Detection angle: 120°**



**7. TECHNICAL FEATURES**

■ **7.1 Protection class**

Protection against mechanical impact: IK 02  
 Protection against solid bodies and liquids: IP 40 (assembled product) - IP 20 (without rocker plate)

■ **7.2 Material characteristics**





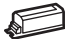


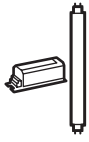





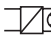


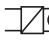
Case: PC  
 Rocker plate: ABS  
 Support: PC charged 10% glass fiber  
 Halogen-free  
 UV resistance  
 Self-extinguishing:  
 + 850°C / 30 s for insulating components holding in place live parts.  
 + 650°C / 30 s for the other insulating components.

**7. TECHNICAL FEATURES** (continued)

■ **7.3 Electrical characteristics**

Frequency: 50 Hz

Table of admissible loads:

		R				L		C/L							
						 + 		 +  + 						LED 	
															
230 V~	Max.	150 W	650 mA	150 W	650 mA	150 VA	650 mA	150 VA	650 mA	100 VA	650 mA	650 mA	650 mA		
	Min.	12 W	50 mA	12 W	50 mA	12 VA	50 mA	12 VA	50 mA	12 VA	50 mA	50 mA	50 mA		

**Important :** Take account of transformer losses when calculating power. Transformers must be loaded at more than 60 % of their power.

**Note :** Possibility to mix any type of load on the same circuit with a maximum total current of 650 mA.

■ **7.4 Climatic characteristics**

Storage temperature: - 20° C to + 70° C

Usage temperature: - 5° C to + 45° C

**8. MAINTENANCE**

Clean the surface with a cloth.

Do not use: acetone, tar-removing cleaning agents or trichloroethylene.

**Caution:** Always test before using other special cleaning products.

**9. STANDARDS AND APPROVALS**

Compliant with installation and manufacturing standards.

See e-catalogue.