

**Use**

Socket outlets for: German standard plugs.

**Connection**

Terminal type: screw clamp  
Terminal capacity: 2 x 4 mm<sup>2</sup> max  
Stripping length: 11 mm  
Compatible with flexible or rigid cables

**Range**

Designation	Item	Related cover
Socket 2P+E 16A 250 Va.c. - socket with earth side contacts - shielded tulip contacts	<input type="checkbox"/> KW4141	<input type="checkbox"/> KW04
	<input checked="" type="checkbox"/> KG4141	<input checked="" type="checkbox"/> KG04
	<input type="checkbox"/> KM4141	<input type="checkbox"/> KM04
	<input checked="" type="checkbox"/> KR4141	<input checked="" type="checkbox"/> KR04
	<input type="checkbox"/> KV4141	<input type="checkbox"/> KV04
	<input type="checkbox"/> KW4141TR	
	<input checked="" type="checkbox"/> KG4141TR	
	<input type="checkbox"/> KM4141TR	

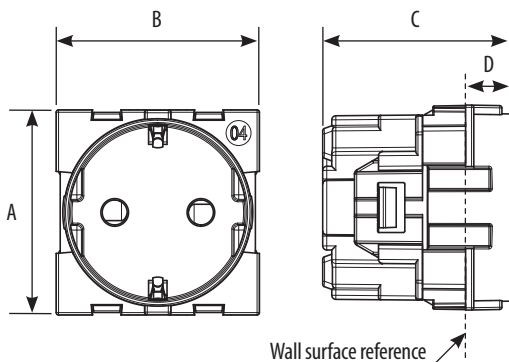
Colours code:

- White
- Black
- Sand
- Red
- Green

**Technical characteristics**

- **Protection index**  
(considering a complete installation, including cover plate)  
Penetration by solid bodies/liquid: IP20D considering complete installation
- **Mechanical characteristics**  
Impact test: IK 04
- **Material characteristics**  
Case and Key cover: PC (Polycarbonate)  
Halogen free.  
UV resistant.
- Self-extinguishing:  
850° C / 30 s for insulating parts holding live parts in place  
650° C / 30 s for other parts made of insulating materials
- **Electrical characteristics**  
Voltage: 250 VAC  
Current: 16 A
- **Climatic characteristics**  
Storage temperature: - 10° C to + 70° C  
Use temperature: - 5° C to + 35° C

**Overall dimensions (mm)**



A	B	C	D
45.2	44.8	41.5	10

**Cleaning**

Clean the surface with a cloth.  
Do not use acetone, tar-removing cleaning agents or trichloroethylene.  
**Caution: Always test before using special cleaning products.**

**Standards and approvals**

Compliance with standards IEC 60884-1.  
Refer to e.catalogue.