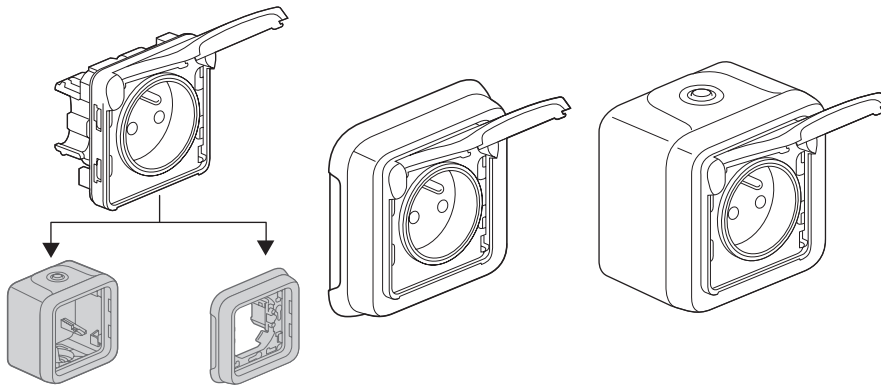


# Plexo™

## 2 P+E socket outlets - Franco-Belgian Standard

Cat. Nos: 0 695 51/53 - 0 696 21/23 - 0 697 31  
 0 698 31/70 - 0 707 21



### 1. USE

Weatherproof wiring devices system intended for residential and professional technical premises (garages, cellars, car parks, workshops and industrial kitchens, etc.) as well as outdoor environments (patios, terraces, gardens, camping sites, etc.).

2 P+E socket outlets with protective shutters.

Tamperproof version to meet specific uses (IT, special networks), with insert Cat. No. 0 502 99.

This product is made of silver-ion based antimicrobial\* material.

This technology eliminates bacteria, fungi and viruses without creating any immunisation or resistance effects (physical, rather than chemical, destruction).

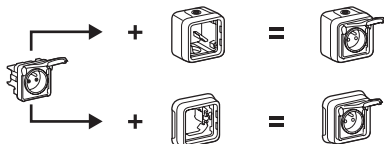
Particularly suitable for healthcare establishments (hospitals, clinics, nursing homes, laboratories, waiting rooms, etc.) and more generally for areas subject to hygiene restrictions (industrial, shared and restaurant kitchens, waste, etc.).

This product offer an additional way of ensuring the non-proliferation of bacteria, fungi and viruses without interfering with cleaning protocols. The mechanism can be flush-mounted or surface-mounted.

To be equipped with plates.

### 2. RANGE

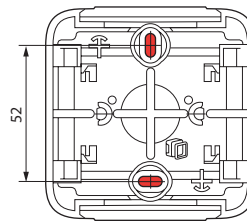
Description		White	Grey	Artic White Antimicrobial*
Configurable	2 P+E socket outlet Franco-Belgian	0 696 21	0 695 51	0 707 21*
	2 P+E socket outlet Franco-Belgian Tamperproof	0 696 23	0 695 53	-
Surface mounting Complete	2 P+E socket outlet Franco-Belgian	-	0 697 31	-
Flush mounting Complete	2 P+E socket outlet Franco-Belgian	0 698 70	0 698 31	-



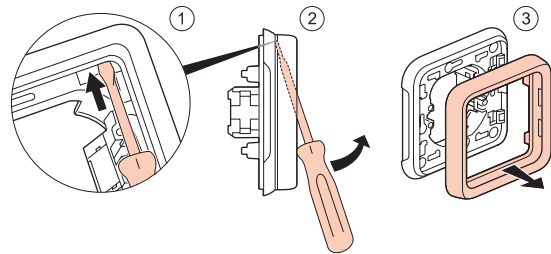
### 3. PREPARATION

#### ■ 3.1 Surface-mounting

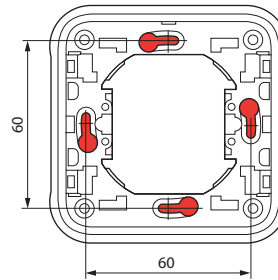
- By screwing the base box onto the support using 2 screws Ø 3-4 mm max.



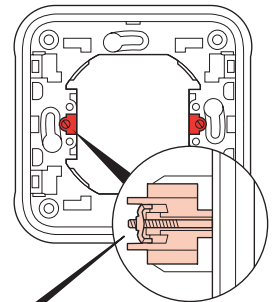
#### ■ 3.2 Flush-mounting



- By screwing onto a flush-mounting box



- By claws onto a flush mounting box



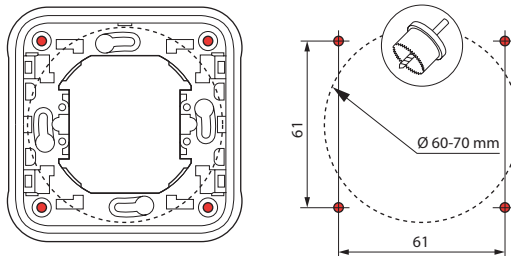
Possibility to place claws:  
 Cat. No. 0 849 00 or Cat. No. 0 849 01 (long claw)

## 2 P+E socket outlets - Franco-Belgian Standard

## 3. MISE EN SITUATION (suite)

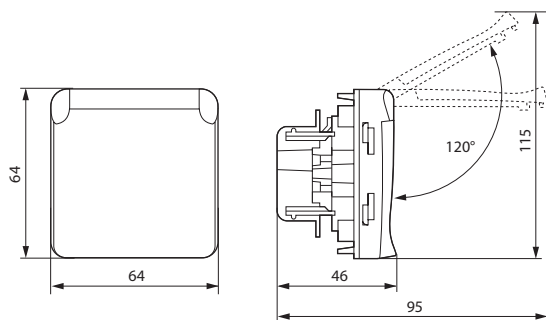
## ■ 3.2 Fixation en encastré

- Par plastronnage à l'aide de 4 vis Ø 4 mm  
Perçage du matériau support pour un diamètre de 60 mm à 70 mm par scie cloche ou emporte-pièce.

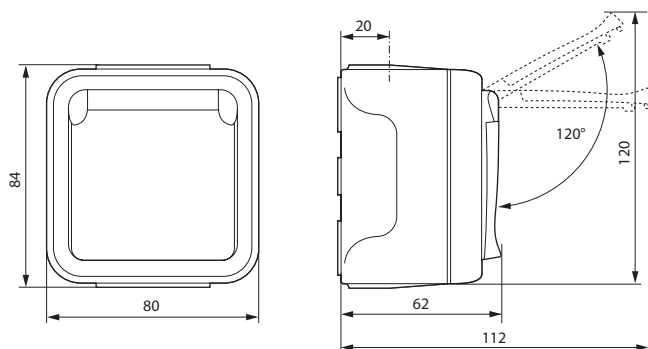


## 4. DIMENSIONS (mm)

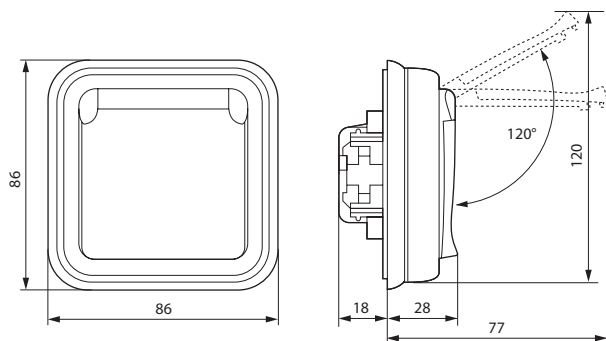
## ■ Configurable



## ■ Surface-mounting



## ■ Flush-mounting



## 5. CONNECTION

## Connection to conductors

## ■ 2 P+E socket outlets

Type of terminals: automatics  
Terminal capacity: from 1.5 mm<sup>2</sup> to 2.5 mm<sup>2</sup>  
Stripping length: 13 mm

## ■ 2 P+E socket outlets tamperproof

Type of terminals: with screws  
Terminal capacity: 2 x 2.5 mm<sup>2</sup>  
Stripping length: 9 mm  
Screwdriver: flat 4 mm

## 6. TECHNICAL CHARACTERISTICS

## ■ 6.1 Protection index (shutter closed)

Protection against solid bodies and liquids: IP 55  
Protection against impact: IK 07

## ■ 6.2 Material characteristics

Box, support: PP reinforced polypropylene  
Plate, shutter: ABS  
Outlet gland, cover plate: PP + SEBS

Antimicrobial\* product:

Cover plate: PP + SEBS + antimicrobial\* treatment

Mechanism: PC

UV resistant

Resistance to salt spray: 7 days (168 h)

Self-extinguishing:

850°C / 30 s for insulating components holding in place live parts.  
650°C / 30 s for the other insulating components.

## ■ 6.3 Electrical characteristics

Current: 16 A

Voltage: 250 V~

Frequency: 50 Hz

## ■ 6.4 Climatic characteristics

Storage temperature: - 25° C to +70° C

Use temperature: - 25° C to + 40° C

## 7. CLEANING

Surface cleaning with dry cloth or cloth dipped in soapy water.  
Do not use acetone, tar remover or trichloroethylene.

## ■ 7.1 Resistance to cleaning agents

Resistance to the following agents: Hexane (EN 60669-1), methylated spirits, soapy water, diluted ammonia, pure bleach diluted 10%, glass cleaning substance, pre-impregnated wipe.

## ■ 7.2 Resistance to hospital-type cleaning agents

Resistance to the following agents: Anios, Surfianis, Bactylisine, Diluted hydrogen peroxide (35%).

**Caution:** A preliminary test should be carried out if other specific cleaning products are to be used.

## 8. CONFORMITY AND APPROVALS

Compliance with standards of installation and manufacturing.  
See e.catalogue.

\* Contains a silver compound to antagonize the growth of bacteria on the surface.