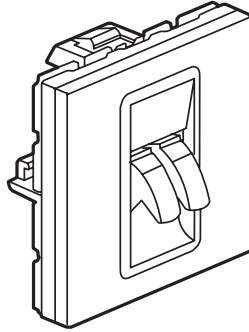


Mosaic™
loud-speaker socket

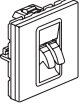
Cat. No(s): Cat. No(s): 0 787 51 - 0 795 51L



0 787 51 - 0 795 51L

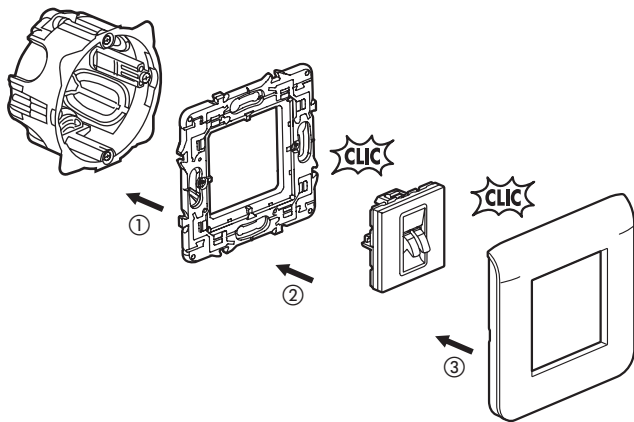
1. USE
For connecting a loud-speaker.

2. RANGE

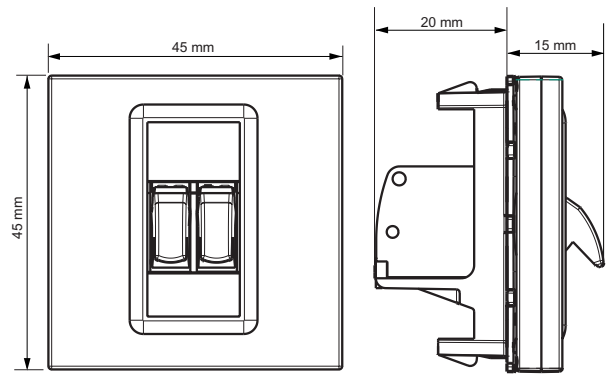
	Designation	Cat. No.	Modules	Fixing method	Connection method	Weight (g)
	Loudspeaker socket outlet - white	0 787 51	2	With clips	With screws	17
	Loudspeaker socket outlet - mat black	0 795 51L	2	With clips	With screws	17

3. PREPARATION

- The mechanisms can be flush-mounted or surface-mounted.
- Modular mechanisms using adapter Cat. No. 0 802 99 (2 modules).
- The mechanisms are mounted on thin walls using adapter Cat. No. 0 802 91 (2 modules).



4. OVERALL DIMENSIONS



5. RACCORDEMENT

Stripping

Recommended cable : audio cable 2 x 6 mm² max.

a - Cable unsheathing length : 30 mm.

b - Core stripping length : 6 mm.

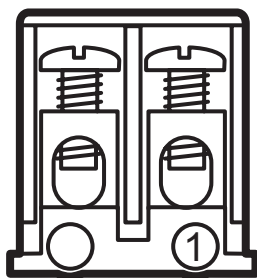


Wiring

Tool required : Flat-blade screwdriver 0.4 x 2.5 mm.

Follow the wiring instructions below :

1 - Audio ground



6. TECHNICAL CHARACTERISTICS

6.1 Caractéristiques mécaniques

Terminal 4 mm²

Impact tests: IK 04

Penetration by solid bodies/liquid: IP 41

6.2 Material characteristics

Base: Polycarbonate

Cover: ABS white (RAL 9003) or mat black

Self-extinguishing: 650°C / 30 s

6.3 Caractéristiques climatiques

Température de stockage : - 10°C à + 70°C

Température d'utilisation : - 5°C à + 35°C

7. CLEANING

Surface cleaning with a cloth.

Do not use: acetone, tar remover, trichloroethylene.

7.1 Resistance to cleaning agents

Resistance to the following agents:

- Hexane (EN 60669-1)
- Methylated spirits
- Soapy water
- Diluted ammonia
- Diluted pure bleach 10%
- Glass cleaning product
- Pre-impregnated wipes

7.2 Resistance to hospital-type cleaning agents

Resistance to the following agents:

- Anios
- Surfanios
- Bactylisine
- Diluted hydrogen peroxide (35%)

Caution: A preliminary test should be carried out if other specific cleaning products are to be used.