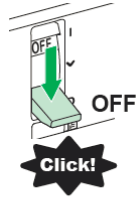


Product End of Life Instructions

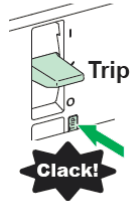
ComPacT BREAKER NSXm160F 36kA AC 4P 160A 4.1 ELINK



Potential disassembly risks

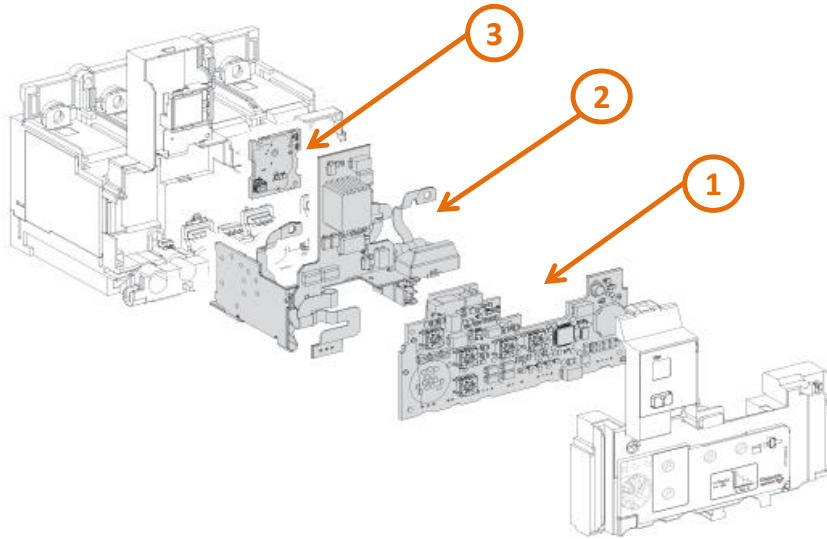


Disable the Breaker:



Turn off or use push-to-trip button to trip the circuit breaker.

End of Life Instructions



Recommendation	Number on drawing	Component / Material	Weight (in g)	Comment
To be depolluted	1	Electronic Board	30.43	
To be depolluted	2	Electronic Board	20.53	Includes Flexible wiring
To be depolluted	3	Electronic Board	3.059	



Product description

Manufacturer identification	Schneider Electric Industries SAS
Brand name	Schneider Electric
Product function	Compact NSXm 160F 4P Earth Leakage Circuit Breaker with electronic Micrologic 4.1 trip unit is designed to provide protection of installation against overloads and short-circuits and provide earth leakage protection in electrical distribution systems with assigned voltage up to 440VAC and rated current up to 160A.
Product reference	C12F44V160L
Total representative product mass	1618.9 g
Representative product dimensions	144mm x 108mm x 80mm
Accessories	No
Date of information release	10/2021



Additional information

Legal information	This product family is in the scope of European Union directive 2012/19/EU on Waste Electrical and Electronic Equipment (WEEE). The product family must be disposed according to the legislation of the country. This document is intended for use by end of life recyclers or treatment facilities. It provides the basic information to assure an appropriate end of life treatment for the components and materials of the product.	
Recyclability potential	52%	Based on "ECO'DEEE recyclability and recoverability calculation method" (version V1, 20 Sep. 2008 presented to the French Agency for Environment and Energy Management: ADEME).

Schneider Electric Industries SAS

Country Customer Care Center
<http://www.schneider-electric.com/contact>

35, rue Joseph Monier

CS 30323

F- 92506 Rueil Malmaison Cedex

RCS Nanterre 954 503 439
 Capital social 896 313 776 €

www.schneider-electric.com

ENVEOLI2107005_V1

Published by Schneider Electric

© 2019 - Schneider Electric – All rights reserved

10/2021