

SpaceLogic™ RP-C-EXT-KNX

Expansion Module

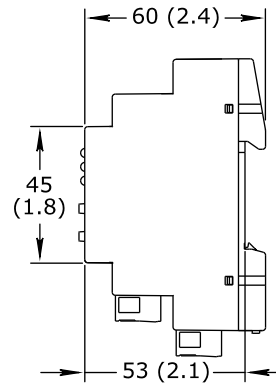
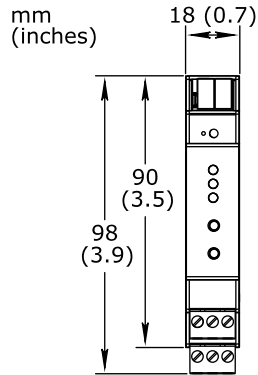
Regulatory Compliance and Safety Information

Electrical equipment should be installed, operated, serviced, and maintained only by qualified personnel. No responsibility is assumed by Schneider Electric for any consequences arising out of the use of this material. Carefully read these instructions and all information relevant for this product before trying to install it. See the list of technical literature. The technical literature and declarations of conformity can be accessed on the Schneider Electric Exchange website, ecobuilding.schneider-electric.com. Contact your local Schneider Electric sales office for a hard copy of the documentation or for additional information.

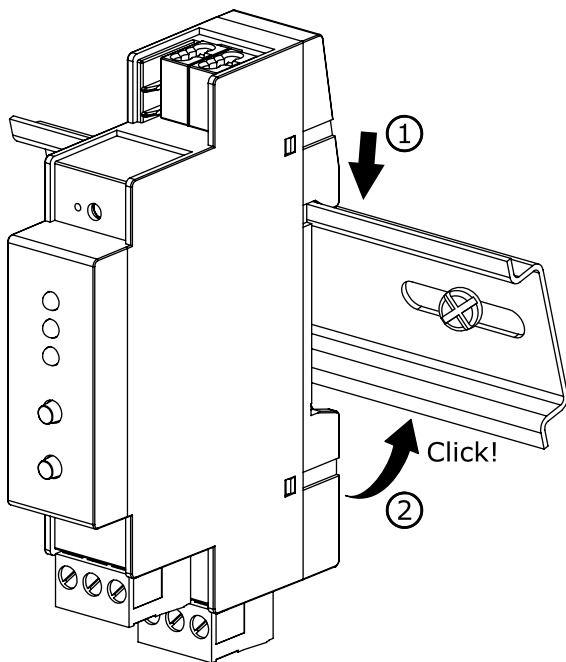
Technical Literature

- SpaceLogic Hardware Reference Guide, 04-XX001-XX-en

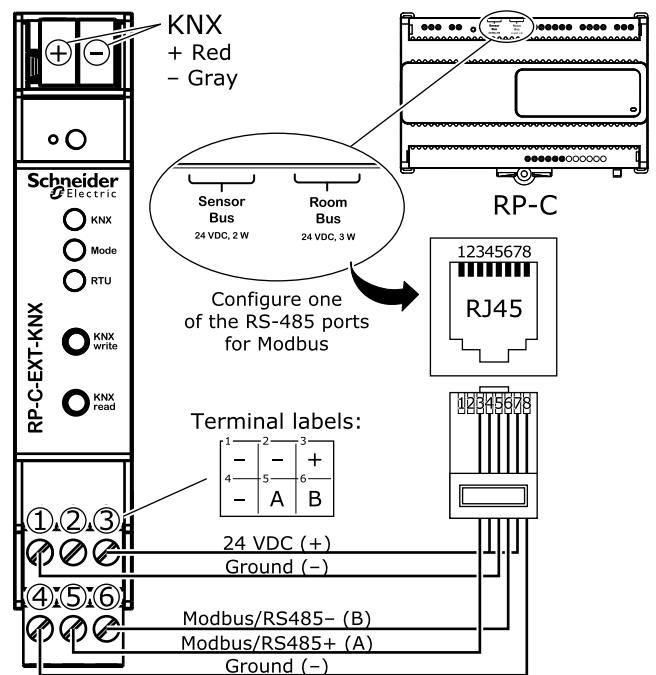
Dimensions



Installing the Device



Connecting the Device to the RP-C RS-485 Port



Terminal (Label)	Description	RJ45 Pin
1 (-)	Ground	5
2 (-)	Ground	Not connected
3 (+)	+24 VDC	4, 7
4 (-)	Ground	8
5 (A)	Modbus/RS485+ (A)	3
6 (B)	Modbus/RS485- (B)	6

Part Numbers

Product	Part number
RP-C-EXT-KNX	SXWREKNX10001

Specifications

DC input

Nominal voltage

24 VDC $\overline{\text{---}}$

Powered by the RP-C

Maximum power consumption

<0.24 W from the KNX bus

<0.24 W from the RP-C

Connectors

Power supply and Modbus (RS-485)

3-position pluggable screw terminal block for power supply from the RP-C

3-position pluggable screw terminal block for Modbus communication with the RP-C
Wire cross-sectional area: 0.34 to 2.5 mm² (22 to 14 AWG)

KNX bus

4-conductor KNX connectors with PUSH WIRE® connection, 2-pole, dark gray/red

Operation environment

Ambient temperature, operating

-5 °C to +45 °C (23 °F to +113 °F)

Humidity

5 to 93 % RH non-condensing

Mechanical

Ingress protection rating

IP 20

部件名称 (Part Name)	有害物质 (Hazardous Substances)					
	铅 (Pb)	汞 (Hg)	镉 (Cd)	六价铬 (Cr (VI))	多溴联苯 (PBB)	多溴二苯醚 (PBDE)
塑料部件 (Plastic Parts)	○	○	○	○	○	○
电子件 (Electronics)	X	○	○	○	○	○

本表格依据 SJ/T11364 的规定编制。(This table is made according to SJ/T 11364.)

○: 表示该有害物质在该部件所有均质材料中的含量均在 GB/T 26572 规定的限量要求以下。

(Indicates that the concentration of hazardous substance in all of the homogeneous materials for this part is below the limit as stipulated in GB/T 26572.)

X: 表示该有害物质至少在该部件的某一均质材料中的含量超出 GB/T 26572 规定的限量要求。

(Indicates that the concentration of hazardous substance in at least one of the homogeneous materials used for this part is above the limit as stipulated in GB/T 26572.)

