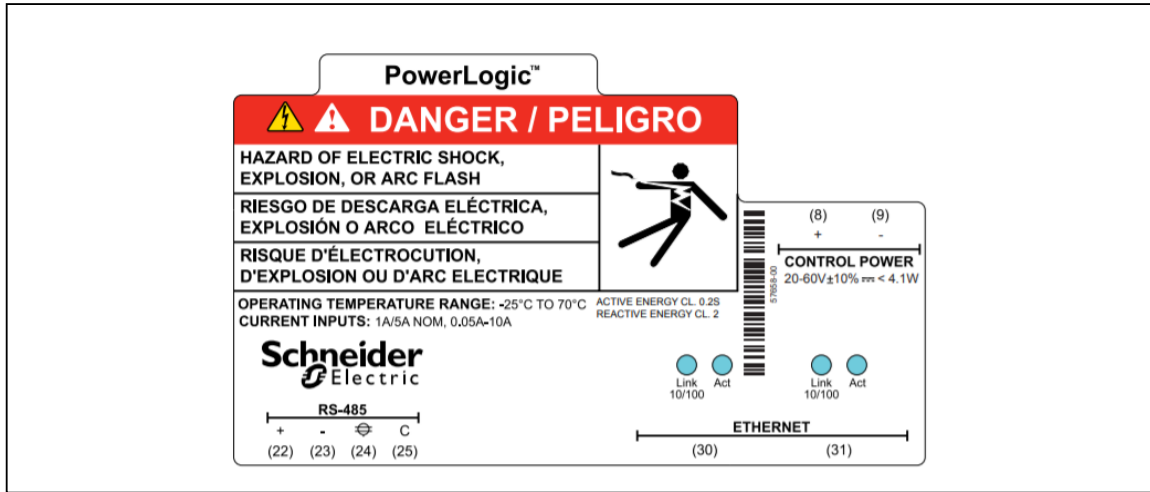


# Product End of Life Instructions

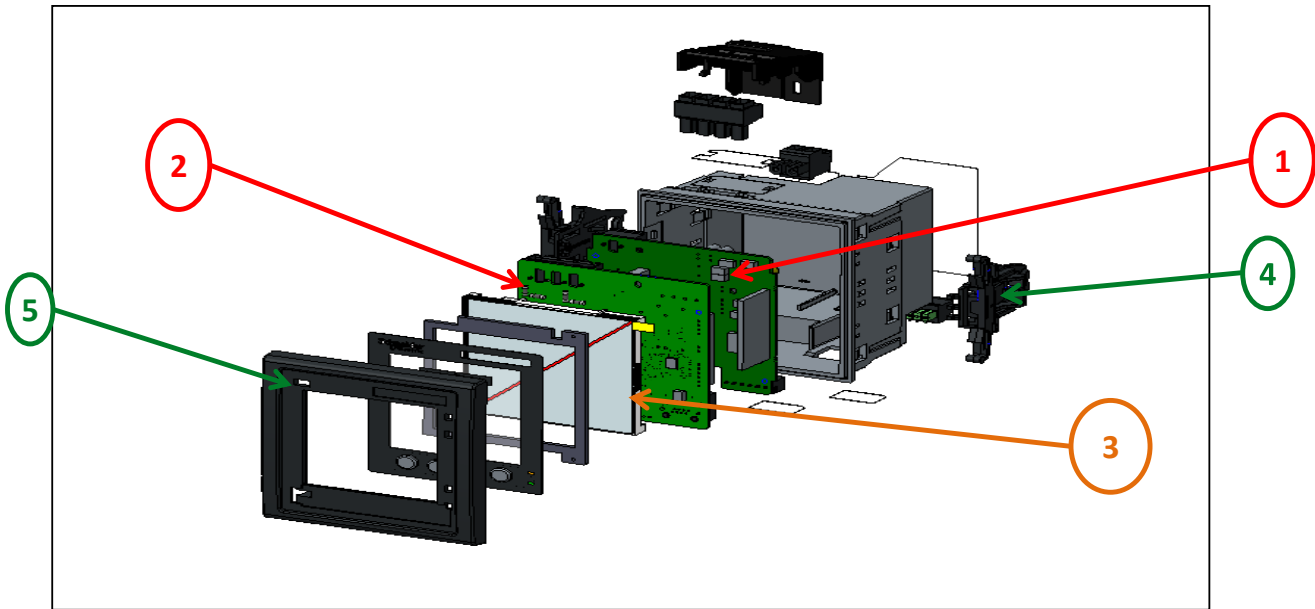
## PM5660, PANEL MOUNT, RCM



## Potential disassembly risks



## End of Life Instructions



Recommendation	Number on drawing	Component / Material	Weight (in g)	Comment
To be depolluted	MFR84162	Electronic Board (Power) > 10cm <sup>2</sup>	86.15	1
To be depolluted	MFR84162	Electronic Board (Communication) > 10cm <sup>2</sup>	86.15	1
To be dismantled	C10003270	63230-401-05 FRONT BEZEL, PM5XXX	25.75	5

## Product description

Manufacturer identification	Schneider Electric Industries SAS
Brand name	Schneider Electric
Product function	The main function of the PowerLogic PM5660 Panel-mount CI0.2 Power Meter is for measurement of 3-phase energy (import & export), Power (active, reactive, apparent), Voltage and Current, THD, Frequency, Residual Current, PF and other power measurement and quality parameters on its large 128x128 pixels LCD & intuitive navigation with 4 soft-buttons. The product has Ethernet and Serial communication modes, and on-board data logging capabilities.
Product reference	METSEPM5660
Additional similar product references	METSEPM5660
Total representative product mass	395 g
Representative product dimensions	96mm x 96mm x 72mm
Accessories	Retainer Clips
Date of information release	01/2020



## Additional information

Legal information	This product family is in the scope of European Union directive 2012/19/EU on Waste Electrical and Electronic Equipment (WEEE). The product family must be disposed according to the legislation of the country. This document is intended for use by end of life recyclers or treatment facilities. It provides the basic information to assure an appropriate end of life treatment for the components and materials of the product.	
In case of special transportation: transportation method	No	
Recyclability potential	<b>18%</b>	Based on "ECO'DEEE recyclability and recoverability calculation method" (version V1, 20 Sep. 2008 presented to the French Agency for Environment and Energy Management: ADEME).

Schneider Electric Industries SAS  
Country Customer Care Center  
<http://www.schneider-electric.com/contact>  
35, rue Joseph Monier  
CS 30323  
F- 92506 Rueil Malmaison Cedex  
RCS Nanterre 954 503 439  
Capital social 896 313 776 €

[www.schneider-electric.com](http://www.schneider-electric.com)

ENVEOLI1909004\_V1

Published by Schneider Electric

© 2019 - Schneider Electric – All rights reserved

01/2020